

# Information Bulletin

Volume 11, Number 2

March 1980



Western Association of Map Libraries

*"... to encourage high standards in every phase of organization  
and administration of map libraries..."*

The Information Bulletin is published at Santa Cruz, California, three times per year by the Western Association of Map Libraries; but opinions expressed herein do not necessarily reflect an official position of WAML.

WAML is open to any individual, institution, or business interested in furthering the Purpose of the Association: "to encourage high standards in every phase of the organization and administration of map libraries".

Membership Dues: Individual Members residing in the Principal Region may attend meetings, serve as an Officer, vote, and receive the Information Bulletin and announcements of meetings. \$10.00 per year.

#### PRINCIPAL REGION

Alberta  
British Columbia

Alaska  
Arizona  
California  
Colorado  
Hawaii  
Idaho  
Montana  
Nevada  
New Mexico  
Oregon  
Utah  
Washington  
Wyoming

Associate Members reside outside the Principal Region. They may attend meetings, serve on committees in an advisory capacity, and will receive the Information Bulletin. US\$10.00 per year.

Lifetime Individual Membership is open to individuals only, for a onetime payment of \$200. In addition to full membership rights, the Information Bulletin and Occasional Papers will be sent as published.

Institutional Members are commercial firms or educational organizations. It may designate one of its staff as its Representative. The Representative has all rights as Individual Members, but may not hold office. The Institutional Member will receive one copy of each Information Bulletin and each Occasional Paper issued during the year of membership. U.S. \$25.00/year.

Subscriptions to the Information Bulletin are U.S. \$10.00 per volume-year. Three issues per year: November, March, June. Postage: U.S. \$1.00 for addressees outside U.S. for Book Rate, surface mail. Will quote Air Mail.

MEMBERSHIPS AND SUBSCRIPTIONS ARE AVAILABLE ON A FISCAL YEAR/VOLUME YEAR BASIS ONLY. Mid-year joiners/subscribers will receive back-issues for that year. The Fiscal Year/Volume Year is July 1st through June 30th.

Back issues of the Information Bulletin are available for \$5.00 per volume or portion thereof, plus postage, from the Editor.

Editor: Stanley D. Stevens c/o University Library  
Map Librarian University of California  
phone: (408) 429-2364 Santa Cruz, CA 95064  
(ATSS 529-2364)

Copy Deadlines: #1 October 1st; #2 February 1st; #3 May 1st.

The Information Bulletin is indexed in *Library Literature*; *Library and Information Science Abstracts*; *Geo Abstracts, Part G*; and is cited in *American Cartographer*; & *IREBI (Indices de Revistas de Bibliotecologia)*.

US ISSN 0049 - 7282

W Assn Map Lib Inf Bull

LC # 72-625238

Vol. 11, No. 2

March 1980

Table of ContentsAssociation News

Attendance at the Map Cataloging Workshop & WAML Fall Meeting-----	172
Editor's Message-----	95
Agenda, WAML & Map Society of California, Joint Meeting-----	94
Minutes: Meetings of WAML Executive Committee & General Membership, Tucson, by <u>Marjorie R. Henry</u> -----	168

Feature Articles

"Cities of the American West": -- an Index to the City Maps, by <u>Charles A. Seavey</u> -----	97
Anglo-American Cataloging Committee for Cartographic Materials, Committee reports edited by <u>Stanley D. Stevens</u> -----	117

Regular Features

Atlas & Book Reviews, edited by <u>Sandra Lamprecht</u> , Review Editor---	110
<u>The California Water Atlas</u> , reviewed by Rodney Steiner-----	110
<u>Imago Mundi</u> , reviewed by Norman J. W. Thrower-----	112
<u>An Atlas of Fantasy</u> , reviewed by Judith A. Tyner-----	114
<u>Atlas de Colombia</u> , reviewed by Edward P. Thatcher-----	114
<u>Quarterly Journal of the Library of Congress</u> , reviewed by Kee DeBoer-----	116
Atlases Cataloged at UCLA, by <u>Anna F. Blustein</u> -----	141
Dealers' Catalogs Received / Publishers' Catalogs Received--	155 / 158
Forthcoming Meetings (other than WAML)-----	137
Jobs in Map Librarianship-----	167
MicroCartography, by <u>Larry Cruse</u> -----	104
New Mapping of Western North America-----	147
News Notes-----	159
Publications of Relevance-----	128
Reference Round Table / Acquisitions Round-Table-----	127
Sanborn Maps on Microfilm / Sanborn Maps, Additional Holdings---	103
	/ 109

©COPYRIGHT 1980 by the Western Association of Map Libraries



## WESTERN ASSOCIATION OF MAP LIBRARIES/MAP SOCIETY OF CALIFORNIA

## Joint Meeting

Faculty Club  
University of California, Davis

PLEASE NOTE CHANGE  
IN DATES

AgendaApril 24, 1980

- 1:00 - 1:15 Welcome. (U.C. Davis Library and Map Society officers)  
 1:15 - 2:00 California State Archives Map Collection. David Snyder, Archivist,  
 California State Archives, Sacramento.  
 2:00 - 2:30 The State Lands Commission Map Collection. Roy Minnick,  
 California State Lands Commission, Sacramento.  
 2:30 - 3:00 Cartographic Records in the U.S. Bureau of Land Management.  
 Wilbur Conklin, Cadastral Branch, B.L.M., Sacramento.  
 3:00 - 3:30 Coffee Break  
 3:30 - 4:15 [Topic on California Surveying]. Francois Uzes, California  
 State Lands Commission, Sacramento.  
 4:15 - 5:00 Cartographic records in the California State Railroad Museum.  
 William Gray, State Railroad Museum, Sacramento.

April 25, 1980

- 9:00 - 10:00 Business Meeting  
 10:00 - 11:00 Pete Hunter, Director, Computing Center, Department of  
 Environmental Studies. "Computer Land Use Mapping at UCD"  
 11:00 - 11:30 Break  
 11:30 - 12:30 Marguerite Pappaioanou, Department of Epidemiology, UCD School  
 of Veterinary Medicine. "The Application of a Computer-Based  
 Geographical Data Handling System in the Epidemiological  
 Analysis of a Disease Control Program."  
 12:30 - 2:00 Lunch  
 2:00 - 2:30 Harold Otness. "Putting Maps to Work in Advertising."  
 2:30 - 3:30 E. Dean MacCannell. "Signs on Maps: A Semiotic Interpretation."  
 3:30 - 4:30 William Kahr1. "The Water Atlas of California."

Host: David Lundquist, Map Librarian  
 University Library  
 University of California-Davis  
 Davis, California 95616  
 (phone ac916 752-1689)

EDITOR'S MESSAGENew Organization Born

I am pleased to report that on January 24, 1980, the American Library Association approved the petition of over 100 members of ALA and gave sanction to the Map and Geography Round Table.

This birth, spearheaded by David A. Cobb and Charles A Seavey, came as a result of presentations made to the ALA's Committee on Organization, as well as the ALA board of directors.

Dave Cobb is an Associate Member of WAML (he is the Map and Geography Librarian, University of Illinois at Urbana-Champaign), and Charley Seavey is a Principal Region Member of WAML (being the Documents and Maps Librarian, University of New Mexico, Albuquerque). In addition, both are active members of the SLA Geography and Map Division.

The motivation for this new effort, although quite complex and sometimes producing both positive and negative responses from persons throughout map librarianship, is best represented by Dave's opinion:

*... joining the ALA would take map libraries from the fringe of librarianship and place us in the center where we belong. More importantly, it would bring us into an organization to which our administrators belong. Through successful representation in various ALA sections, I believe we could create an 'image-awakening' of the information value of the maps and achieve a more equal status in total library services.<sup>1</sup>*

Much has been written about this subject, in this journal as well as in as yet unpublished opinions. John Schroeder, Chairman-Elect of the Geography and Map Division, advocates a new, independent organization. HelenJane Armstrong, past-Chairman of the Division, is Chairman of an ad hoc Disaffiliation Committee that is charged with the study of all aspects of the issue, pro and con, and will report (with recommendations) at this June's Annual Business Meeting of the Division. Jeremiah Post, past-Chairman of the Division (and Chair of the 1970 Disaffiliation Committee) has recently expressed his views:

*... What must be remembered is that under the aegis of SLA a group of librarians who dealt with maps has transformed itself into the map library profession - and beyond into the larger community of cartographic information and format specialists. We must admit that the Western Association of Map Libraries and the Association of Canadian Map Libraries/Association des Cartotheques Canadiennes have both made great contributions to the field, but it is when members of these organizations meet with members of the Geography and Map Division, usually at SLA meetings, that the invisible community of map librarians finds its voice and reaffirms its purposes. Whether we belong to one or all of the organizations, we are part of the map librarian family.*

*...*

*We should not view this Round Table as creating a schism in the map library world any more than WAML or ACML/ACC would be viewed that way. We may regret that we do not have a single voice which speaks for all map librarians, but we work with the tools at hand. All of the map*

*librarian organizations serve the interests of map librarians, individual map librarians will have to decide which one(s) will serve their individual needs through membership. There may come a time when we no longer need the "club" aspect; there may even come a time when we no longer need the missionary aspect; there may come a time when we merge these various functions in yet a new organization if circumstances warrant. Organizations are not sacred.<sup>2</sup>*

Many of the sentiments expressed in the foregoing quotation reflect my own, which I have submitted to Mary Murphy, Editor of the Division's Bulletin, for publication in a forthcoming issue.

I opened this Message with the phrase: "I am pleased to report...". I do so in the spirit that "Map Librarianship is Alive and Well", and, "Map Librarianship is in its Golden Era". These sentiments are positive attitudes, because that should be our focus. The well-being of map librarianship requires positive cooperation. Those of us that founded WAML did not do so in an effort to detract from nor destroy nor diminish the efforts of any other organization. I am convinced that this new effort is born in the same spirit.

The G&M Division will meet in Washington at SLA's 71st Annual Conference, June 7 - 12, 1980. It is important that as many of the 361 Members of the Division as can attend do so. Whether a formal vote on "disaffiliation", or some other action, will be called for, you can be assured that your views, and your vote as an SLA member, will be heard and counted.

Regardless of what happens in Washington, the new Map and Geography Round Table will have an organizational meeting and program at the ALA Annual Conference on June 30, 1980 in New York City. The Round Table hopes to attract members from academic, research, and public libraries. As stated in its goals and objectives, "... the Round Table will address not only the immediate practical and procedural problems of cartographic and geographic material curatorship but will also encourage scholarly research in areas pertaining to map and geography librarianship."

WAML will be meeting at UC Davis in April, where the issue will continue to receive our attention. Without encouraging or discouraging any individual from taking "sides" among organizations, I do plead for participation. Become involved! Map Librarianship will be richer because of you!

I wish good luck and good health to us all.

Stanley D. Stevens

<sup>1</sup> "SLA or ALA", by David A. Cobb, pp. 505-506, Special Libraries, Vol. 70, No. 12, December 1979. *see also, an expanded version delivered to the Division's Annual Meeting in Honolulu, June 1979: "The Politics and Economics of Map Librarianship", pp. 20-27, Bulletin, Geography & Map Division, Special Libraries Association, No. 117, September 1979.*

<sup>2</sup> "Some Thoughts on Organizations", by J. B. Post, unpublished paper, January 30, 1980. *submitted for publication to The Editor, Bulletin, G & M Div. Quoted with kind permission of Author.*



"Cities of the American West":  
-- an Index to The City Maps



by

Charles A. Seavey  
University of New Mexico  
Albuquerque

Cities of the American West; a History of Frontier Urban Planning by John W. Reps is a massive and scholarly treatise on the subject at hand. Purely aside from its great historical value, it belongs in every map collection because of the great number of urban plans reproduced in the text (mostly on a full page). Approximately 260 cities, the great majority in the Trans-Mississippi West, have at least one map reproduced. Several cities have many maps covering a long time span.

The book was not indexed with map people in mind, so there is no index to the maps.

Presented below, alphabetically by state and city is such an index.

Included is the date of publication and the page in the book. (v) means view, rather than actual map. Somewhere below 25° above the horizon maps become views, at least to my eye. (c) stands for color reproduction, all of which are in two sections of plates. Plates 1-16 are after page 192, and plates 17 through 32 follow page 528. P32, for example, indicates Plate 32.

Reps, John William

Cities of the American West : a history of  
frontier urban planning  
Princeton, N.J. : Princeton University Press, 1979.

xii, 827 p., 32 [i.e. 16] leaves of plates : ill.  
23 x 27 cm.

Bibliography: p. [747]-773. Includes index.

1. Cities and towns--The West--History. 2. Urbanization--  
The West.

OCLC # 4493856 LC # 78-51187 ISBN # 0-6910-4648-4

List Price \$75.00 [As low as \$56.55 from at least one book  
dealer.] LC Class # HT123.5.A17 R46 Dewey 301.36/3/0978

ARIZONA

<u>City</u>	<u>Year</u>	<u>Page</u>			
Calabasas	1878	629	Prescott	1864	625
Callville	1865	333		(c)1885	P26
Flagstaff	1892	628	Tubac: Presidio of San Ignacio de Tubac	1766	88
Lehi	1880	335	Tucson	1862	126
Mesa	1882	334		(v)1878	623
Phoenix	(c)1885	P30		1893	680
	1887	630			

CALIFORNIA

Altadena	1887	269	
Anaheim	1869	263	
	1877	264	
Azusa	1887	274	
Benicia	1851	222	
	1885	224	
Berkeley	1866	181	
	1891	182	
Branciforte	1796	103	
Cahuenga	1887	268	
Coloma	(v)1850	198	
	1857	200	
Columbia	1852	203	
Corona	1900	272	
Coronado	1887	282	
Cotari	1898	187	
East Los Angles	1873	254	
Fort Ross	1828	105	
Fort Yuma	(v)	627	
Fresno	1873	189	
	1888	190	
	1901	191	
Grass Valley	(v)1852	204	
	1852	205	
Hollywood	1887	267	
Los Angeles	1786	100	
	1793	101	
	1847	102	
	1849	249	
	(c)1857	P12	
	1857	251	
	1871	252	
	1877	253	
	(v)1877	255	
	1887	266	
	1891	283	
	(c)1894	P32	
Marysville	1852	214	
Modesto	1888	188	
Monrovia	1887	273	
Monterey, Presidio of San Carlos de Monterey	1771	90	
	1792	91, 92	
	1842	110	
	1842	111	
	1849	167	
Monterey Bay	1844	104	
Nevada	1856	207	
New York of the Pacific	1849	221	
Oakland	1852	183	
	1868	184	
Ojai	1887	278	
Palm Springs	1888	280	
Pasadena	1893	691	
Paso Robles	1888	279	
Placerville	1888	208	
Redondo Beach	1887	275	
Sacramento	(c)1849	P9	
	1849	210	
	1857	212	
	1870	213	
San Bernardino	1854	329	
	1886	271	
San Diego	1849	240	
	1850	242	
	1856	241	
	1857	109	
	1868	244	
	(v)1873	246	
	1876	247	
	1886	248	
	(v)1887	281	
San Francisco			
(Presidio)	1776	93	
	1816	94	
	1835	113	
	1839	114	
	1847	158	
	(c)1847	P6	
	1848	161	
	1849	160	
	(v)1849	162	
	(v)1849	163	
	(c)1851	P7	
	1856	165	
	1868	166	
	(c)1868	P8	
	1878	178	
	1890	692	
(Golden Gate Park)	1892	177	
	1892	180	
San Gabriel	1892	260	
San Jose	1787	98	
	1847	169	
	1850	170	
	1850	171	
	(v)1858	173	
	1866	175	
	(v)1869	174	
San Luis Obispo	1877	261	
San Pedro	1862	257	
	1893	258	
Santa Barbara, Presidio of	1788	94	
	1853	96	
Santa Barbara	(c)1877	P11	
Santa Clara	1856	43	
Santa Monica	1875	259	
	1877	253	
Santa Rosa	1876	186	



Sonoma	1846	107
	1850	107
Sonora	1852	202
Stockton	1849	216
	1861	217
	1870	218
Sutters Mill	(v)1850	198
Suttersville	1849	197
Toualome City	1850	220
Vallejo	1850	225
	1871	226
Ventura	1877	262
	1888	277
Wilmington	1877	253

COLORADO

Black Hawk	1862	470
	1873	472
Central City	1863	468
	(v)1866	469
	1867	467
	1873	472
Colorado City	1866	478
Colorado Springs	1874	587
	1874	588
	1882	589
	1882	590
	1890	683
Cripple Creek	1894-1903	484
	1896	486
Denver	1859	458
	1859	460
	(v)1860	462
	(v)1866	464
	1871	487
	(c)1874	P20
	1882	488
	1889	681
Durango	(v)1889	585
Georgetown	1867	474
	(c)1874	P19
	1873	479
Golden	(nd)	473
Idaho Springs	1879-1910	480
Leadville	1882	483
	1882	483
Mount Vernon	1866	476
Pueblo	1870	582
	1874	584
	1890	585
Victor	1896	486

DISTRICT OF COLUMBIA

Washington	1792	6
------------	------	---

IDAHO

Atlanta	(v) (nd)	492
Boise	1863	495
	1867	496
	(v) (nd)	498-499

ILLINOIS

Chicago	1834	25
	1892	27
Kaskaskia	1765	23
Nauvoo	1842	298
	(v)1853	301
	1874	300

INDIANA

Indianapolis	1821	15
Jeffersonville	1802	19

KANSAS

Abilene	1869	549
Atchinson	1858	429
	1880	432
Council City	1855	447
Dodge City	1882	555
Lawrence	1854	433
	1858	435
	1858	436
	1869	437
Leavenworth	1854	426
	(v)1857	427
	(c)1869	P17
	1876	428
Lecompton	1855	450
Minneola	1858	451
New Babylon	1857	445
Octagon	1856	446
Quindoro	1856	441
Sumner	(c)1857	P18
Tecumseh	1859	449
Topeka	1856	438
	1869	452
	1880	453
Wichita	1870	551
	1870	552
	1873	553
Wyandotte	1857	443
	1869	444

KENTUCKY

Louisville	1824	18
------------	------	----

LOUISIANA

New Orleans	1815	21
Robeline	1722	62

MINNESOTA

St. Paul	1853	28
----------	------	----

MISSISSIPPI

Natchez	1796	20
---------	------	----

MISSOURI

Adam-Ondi-Ahman	1838	295
Far West	1837	294
Hannibal	(c)1869	P12
Kansas City	1869	32
	(c)1874	P 1
St. Louis	1780	24
Zion	1833	288

MONTANA

Benton	1870	509
Billings	1882	541
	1904	542
Bozeman	1870	510
	1883	511
Butte	1884	508
Great Falls	1887	573
	1891	574
Helena	(c)1865	P21
	1868	504
	1875	505
	1890	684
Missoula	1884	512
Virginia City	1868	500
	(v)1868	501
	1875	503

NEBRASKA

Aspinwall	1857	397
Bellevue	1855	393
Brownville	1855	399
Columbus	1874	415
Dakota	1856	403
Florence	1855	394
Harvard	1879	530
Lincoln	1867	418
	1874	420
	1874	421
	1885	422
	1889	671

NEBRASKA City

Nemaha City	1865	412
North Platte	(c)1868	P16
Omaha	1855	398
	1888	531
	1854	406
	1857	409
	1866	409
	(c)1867	P15
	1868	410
	(v)1869	408
	1905	672
Pawnee City	1879	416
Peru	1857	400
Plattsmouth	1855	401
St. Deroin	1855	396
St. Johns	1856	404
Tekamah	1855	402
Winter Quarters	1847	302

NEVADA

American City	1865	234
Aurora	1862	232
Austin	1863	233
Carson City	1876	235
Esmeralda	1862	232
Reno	1868	560
	(c)1890	P23
	1900	562
	1873	236
Sutro	(v)1860	227
Virginia City	1861	229
	1865	230
	(c)1875	P10

NEW MEXICO

Albuquerque	1856-1958	49
	1886	50
	1886	622
	1898	677
	1882	620
Las Vegas	(c)1766	P 3
Santa Fe	1846	52
	1848	53
	1882	623
	1886	679

NEW YORK

Buffalo	1804-1851	10
---------	-----------	----

NORTH DAKOTA

Bismark	1873	537
	1883	538
Elliott	1883	539
Jamestown	1884	547
	1883	536

OHIO

Cincinnati	1815	13
Cleveland	1896	11
Columbus	1817	16
Kirtland	1835	293
Marietta	1789	12

OKLAHOMA

Alva	1893	660
Anadarko	1901	661
Caddo	1901	662
Edmond	1891	655
Enid	1893	658
Guthrie	1890	641
	1891	648
Norman	1890	654
Oklahoma City	1889	649
	1890	652
Stillwater	1890	653
Tulsa	1901	664
	1918	665
West Guthrie	1889	643
Woodward	1893	659

OREGON

Albany	1878	374
Astoria	1850	357
	1870	358
Eugene City	(v) 1859	331
Jacksonville	1883	374
Oregon City	(nd)	378
	(v) 1846	347
	1849	348
	1858	349
Pendleton	1884	371
Portland	1845	350
	1848	352
	1853	353
	1858	354
	1870	379
	1879	380
	1890	689

St. Helens	1875	355
Salem	1850	359
	1876	376
The Dalles	1858	368
	1884	370

PENNSYLVANIA

Erie	1836	9
Philly	1794	5
Pittsburg	1815	7

SOUTH DAKOTA

Aberdeen	1883	545
Chamberlain	1890	546
Deadwood	(v) 1876	517
	1884	518
Lead	1884	519
Pierre	1880	544
Rapid City	1883	521
	1885	520
Yankton	1866	543

TEXAS

Amarillo	1888	599
Austin	1839	137
	1840	138
	1870	616
	(c) 1873	P25
	1887	676
Castroville	1881	142
Champ d'Asile	1819	83
Dallas	1855	150
	1858	149
	(c) 1872	P24
	1874	594
Denison	1891	579
Dolores	1758	75
Dolores de los Tejas		
(Presidio)	1722	61
El Paso	1884	597
Fort Worth	1876	596
	(c) 1891	P27
Fredricksburg	1850	144
Galveston	1837	131
	1845	132
	1855	133
	1885	611
Goliad: Presidio of		
Bahia del Espiritu		
Santo	1767	76
Gonzales	1836	121

Houston	1836	128
	1836	130
	1869	612
	(c) 1891	P28
Indianola	1850	144
	1860	147
	1868	613
Laredo	1758	75
	1890	615
Lubbock	1891	602
Marshall	1860	141
Matagorda	1835	124
	1860	125
Matagorda Bay:		
Presidio of Loreto		
en la Bahía del		
Espiritu Santo	1722	64
Matagorda Bay	1850	144
Menard: Presidio		
of San Sobà	1767	77
Nagodoches	1846	80
New Birmingham	1888	606
New Braunfels	1850	144
	1868	146
	1881	148
	1824	81
Palafox	1885	604
Parls	1896	606
Port Arthur	1897	607
	1834	122
Refugio	1851	134
Sabine Pass		
San Antonio		
(Presidio)	1722	63
	1730	66
	1730	67
	1764	70
	(c) 1767	P 4
	1777	69
	1836	152
	(c) 1852	P 5
	1873	619
	(c) 1886	P29
	1889	674
San Felipe de		
Austin	1824	118
	1824	119
Swartwout	1838	140
Velasco	1837	123
Waco	1886	617
Wichita Falls	1890	600

UTAH

Brigham City	1868	318
	1875	320
Farmington	1868	315
Fillmore	(v) 1855	328
Grafton	1861	333
Logan	1900	321
Manti	1851	316
(Farm tracts)	1869	316
	1875	317
Provo	1850	325
Rockville City	1862	332
St. George	1862	330
Salt Lake City	1847	305
(Farm tracts)	1849	309
	(v) 1853	310
	1857	307
(Farm tracts)	1858	306
	1860	308
	1867	338
	(c) 1870	P13
	1875	339
	1887	340
	1888	341
	1891	686
Virgin City	1862	332
<u>WASHINGTON</u>		
Cheney	1884	386
Olympia	1870	362
	(c) 1879	P14
Port Townsend	1878	382
Seattle	1853	365
	1856	364
	1878	383
	1884	384
	(c) 1891	P31
Steilacoom	(v) 1862	363
Spokane	1883	387
	1890	388
Tacoma	1869	566
	1873	567
	(v) 1878	570
	1880	569
	1884	571
	1889	687
Vancouver	1855	366
Walla Walla	1858	368
	1865	369
	1876	373

WISCONSIN

Madison	1836	29
---------	------	----

WYOMING

Caspar	1888	576
Cheyenne	1868	532
	(c) 1870	P22
	1882	535
Green River	(nd)	564
Laramie	1894	563

DOMINICAN REPUBLIC

Santo Domingo	1586	36
---------------	------	----

FRANCE

Vitry-le-Francois	1634	38
-------------------	------	----

MEXICO

Renosa	1751	73
--------	------	----

SPAIN

Santa Fe	1958	38
----------	------	----

KEY TO SYMBOLS: (c) = color reproduction (v) = view P = Plate  
(nd) = no date

SANBORN MAPS ON MICROFILM

As reported in the last issue of the Information Bulletin (see p. 74, Vol. 11, No. 1) Mr. Vlad Shkurkin, 6025 Rose Arbor, San Pablo, CA 94806, is continuing to publish Sanborn Maps, filmed from the collection at the Library of Congress. His latest offering is:

NEVADA MAPS: CITIES AND TOWNS, 1906 -1943, 195 maps, 21 communities, on a single roll of 35mm sprocketless microfilm, with a reduction of 19:1.

Maps compiled and republished in 1979 as ISBN 0-932732-04-6. Price \$40/reel. Also available, high quality paper prints \$2.00 each, per sheet.

<u>Community</u>	<u>Year</u>	<u>Sheets</u>	<u>Community</u>	<u>Year</u>	<u>Sheets</u>
Austin	1886	1	Fallon	1909	3
	1890	1			1912
	1907	1	Gardnerville " + Minden	1907	1
	1907/ 1941	1			1912
	Battle Mtn.	1907	1	Goldfield	1909
					1909/1917
Carson City	1907	13	Hawthorne	1942	2
	1907/1941	13			1942/1943
Dayton	1907	1	Las Vegas	1923	10
	1907/1930	1		Lovelock	1907
Elko	1907	6			1914
	1912	8	Pioche	1939	1
Ely	1907	8		501 Series	1939
	1912	11	Rhyolite		1909
Eureka	1907	4			1909/1912
	1907/1941	4	Sparks	1907	9
				1912	10
			Tonopah	1909	8
				Verdi	1912
					1912/1930

& Virginia City, Winnemucca, Yerington

# MicroCartography

by Larry Cruse

This is the first in a planned regular series dealing with cartographic microforms. Let me know which topics you want covered and I'll see what can be done. If you have news items, especially regarding state and local map microfilming projects, send them along, or submit a few pages and we'll insert them here. My address is, Map Section C-075P, University Library, University of California-San Diego, La Jolla, CA 92093, phone (714) 452-3338.

Remember, nothing regarding cartographic microforms is too small to print.

## UPDATES

EP Microform Ltd., East Ardsley, Wakefield WF3 2JN, Yorkshire, England, is about to release their four 35mm reels of manuscript maps in the Public Record Office relating to North America and the West Indies during the Revolutionary Era, 1760-1783. Cost at last report: \$25 per reel, or about 50¢ per map image. At last report there were about 175 maps involved in the project. Britain's Public Record Office did the filming. No allowance was made for "unitizing" (read "separating") them into individual items. Future EP projects will allow for this, so the maps will probably be available on aperture cards. Meanwhile, if you are still interested, contact Mr. Lesley Smith for their corresponding list that ties the microfilm to P.A. Penfold's cartobibliography Maps and plans in the Public Record Office, V. 2, America and the West Indies (London: HMSO, 1974). The list also includes the map's original size and coloration, essential information for cataloging.

## WATERMARKS

Before I forget. Would someone who works with water marks let me know how these come through on backlighted easels, or undertake an investigation on the advisability of including backlighting in the standard for cartographic microforms, especially for maps without obvious dating? It is just possible that a good microform could serve a dual purpose, and a little backlighting does not hurt when trying to make out detail on a map anyway, so long as it is a printed-on-one-side-only document.

## SANBORNS

In addition to Vlad Shkurkin's Sanborn insurance maps of Nevada and California mining communities on microfilm, mentioned in the last Information Bulletin (p. 74), the Sanborn Map Company, 629 Fifth Avenue, Pelham, NY 10803, is negotiating with the Library of Congress to film LC's ca. 750,000 Sanborn maps for commercial distribution. Meanwhile, Sanborn will deliver current insurance mapping from their ever-growing list of cities (about 100 at present). These are available either on rolls or aperture cards, price a function of the order-size. Most of the current program's focus is East of the Mississippi, but the re-emergence of Sanborn in the West is a good possibility. Now that microfilm is integral to their updating program, a whole new batch of material of long-term value can be accessed. If you would like more information, contact Mr. G. Greeley Wells, President, Sanborn Map Company.

POLAROID

Polaroid is looking at the market for instant microfilm. If you would like to talk to them about it, contact Dr. Paul Goldberg, Polaroid Corporation, 565 Technology Square-2G, Cambridge, MA 02139 (phone (617) 577-2474). He's interested in potential applications in map libraries. He will be on the West Coast the first week of March and would like to speak with interested librarians. Basic format: 70mm; just the thing for interlibrary loans, inventory control of rare maps and atlases, etc.

MICROFILM AWARDS

World's best cartographic microforms: three way tie - Canada's National Map Collection; the U.S. Cartographic and Architectural Archives; and, British Columbia's Provincial Archives. All use 105mm single image microforms. Special award to the National Archives for enhancing contrast on their aerial photo microfilms.

Best microforms in the U.S. Geological Survey last year: NCIC-W. They did samples for the NCIC-hosted WAML meeting (March 1979), and, under the direction of Lee Aggers, consistently control the quality of their products to the limits of 35mm state-of-the-art. Second, they understand the need for the maps to be set up on microfiche. If all 35mm map images were as good as theirs, none of us would be jumping up-and-down about the advantages of 105mm. I have about twenty of the sample fiche, let me know if you want one.

Second to NCIC-W, and using the same contractor, I think, is the Western Mapping Center in Menlo Park. Their microfiche LUDA file, at 50¢ per fiche, is one of the great bargains of our time. The lone criticism of it, pointed out by Janet Rudd (formerly of UC Berkeley), is that the overlays are spatially impossible to reference without the base 1:250,000 or 1:100,000 topo quadrangle. She's right! On the other hand, the original clear mylars were too expensive and too stable, meaning that at \$22. each we had to settle for fewer than we wanted, and when we got them, they had lost their original fit because the paper map base had shrunk. Perfect opportunity for someone to invent micro overlays so that all of the thematics, and the color/feature base map elements can be mixed and matched.

Third is NCIC Headquarters under Gary North. Seeing the 7.5 and 15-minute historic file through to completion must have been a daunting exercise, especially when, at the last moment, it was discovered the printed list of quadrangles and the micro sequence did not match. John Simmonds, who was in charge of microfilming programs at NCIC, has earned the retirement he began in January. While not as good, qualitatively, as the NCIC-W and WMC products, there is a lot to be said for the sheer magnitude of the logistics involved in delivering over 100,000 maps at less than 2¢ each in diazo -- 4¢ each for silver. Backing this up with the Map and Chart Information System (MCIC) and now attempting to tie that to the MARC map records system is nothing short of prodigious. You may have to strain a bit to read some of the lettering on the maps -- having a 90 power lens available helps -- but it's all there.

Fourth, and quite a bit further down the awards totem pole is the EROS Data Center. Their attempt at a 16mm on microfiche format (6 by 10 images) was a

qualitative bust. EDS went back to the drawing board with it and will re-introduce it about April. Before taking the plunge, ask for a sample, available through the User Services Section, Sioux Falls, SD 57198.

Two changes in the microIMAGE file I would like to see are (1) that the images be expanded (the old style used only about half the available space), and (2) the format be single nominal scene-center oriented. I have a feeling that most requests are area specific so it would seem logical to produce the reference file with each fiche devoted to a single scene center, with all possible images on it. While this would make the file sixty-times as large, it would also make it sixty-times as complete, giving sixty passes of the same place, let's say the last sixty shorts of it taken, and that would form a cumulative record sixty-times more useful to me than the current format.

In regard to EDS generally, I advocate their adjustment to standard microfilm formats for all MSS images, either with full scenes or partial scenes based on standard coordinates, with perhaps one degree of overlap on all sides. (Just what they were looking for, more suggestions!)

Thier imagery is becoming prohibitively expensive, and some experimentation should be undertaken to bring the cost down (e.g., enlarge the purchasing base). Microfilm has a lot of untried capabilities along these lines.

Dead last has to be the Open File Reports Section of USGS. They seem to have missed the ball every chance they got. First, they did not adopt uniform pricing (say 50¢ per fiche, regardless). Second, they did not maintain quality control (my sample, ORF 79-868, was completely illegible); they did not take advantage of all the microfiche surface area (i.e., 35mm image on 105mm fiche); they did not get their micro copy into the GPO depository program (they're supplying paper copy -- and only a few of those); All in all, a very poor mark. But, they are getting on the right track.

Best commercial map microfilm has to be Microchart Systems, Inc., 819 "A" St., #30, San Rafael, CA 94901. Their world-wide Defense Mapping Agency and domestic National Ocean Survey nautical charts on 70mm silver-film microfiche are examples of the best that can be done with the format. The fact that Chuck Barkee keeps in touch with map libraries, incorporates suggestions, sells excellent readers in package deals, is distributing Robert Markham's excellent 35mm 7.5-minute topo quads of Colorado and the entire U.S. 1:250,000 series on microfiche, supported by indexes, is testament to his interest and fortitude. While the prices may seem high at first, that's because we are spoiled by government 'at cost' microforms. Try comparing it to map costs!

#### SU DOCS

While I'm on the subject of U.S. Government maps and 70mm images, I have just received some excellent Department of Energy material through the GPO depository program. Classed as E 3.27/2:0165, "Major extra high voltage transmission lines, December 31, 1977", and a set on "Principle [sic] electric facilities, [region]". I'm not sure yet whether these are exclusive to depositories or whether they are for sale by GPO as the paper equivalents are. (By-the-way,



the misspelling of "principal" occurs only on the header of the microfiche; the map was filmed with the correct title as part of the microimage ... now, how do you catalog that?)

What interests me about these maps is their uniform reduction (24X), regardless of the image size. In many ways, this seems far more enlightened than all of the talk I've heard (and contributed to) about the merits of the various format sizes. In case not mentioning it might make you wonder, the maps are perfectly legible; which serves to further the point, made several years ago at the WAML meeting on microcartography by Carl Lundquist of the Los Angeles City Engineer's Office: "Microfilm is a medium for the transmission of the information contained in these maps". This is the guiding principle used by archives, and considerations such as - how to copy it full size are of secondary concern. Which is not to beg the question of copying; we'll return to that another time.

### COLOR

In case you missed it, The State Library (of South Africa), P.O. Box 397, Pretoria, is working on a color microfiche set of 46 Portugese manuscript maps (35mm images ganged up on 14 fiche). They have been experiencing difficulty with the quality, but, when ready, will supply sets at about 30-40 Rand each ( $\pm$  \$3.00 per fiche -- amazingly close to the price I was quoted by a local shop). Orders for this set, or questions about it, should be sent to the Director, for attention of Mr. A. Olivier.

### FLOOD PRONE MAPS

According to an article by John M. Meadows ("Micrographics: A Double-Edged Sword", Microfilm Techniques, Vol. 8, No. 5 (Nov./Dec. 1979: p. 15-19)), the Factory Mutual System of Norwood, Massachusetts has developed a "Flood Plan Information and Retrieval System", which includes a complete file of micro-filmed flood-prone quadrangles and indexes. Furthermore it's kept up to date. Would someone take a run over to their offices and see how much they want for duplicate sets?

One thing to note, especially in regard to insurance company micrographics work, they will often tie the maps to varying kinds of printouts (as does NCIC with the historic quads and the MCIC index), to deliver a final product infinitely easier to use and less prone to mistakes than the typical map library. The best example I have yet seen in this regard is still that of Microfiche Publishers, Inc., 2603 Laurel St. (P.O. Box 2840), Napa, CA 94558, phone (707) 255-6212. They film the plat maps of all California counties and the urban counties of Arizona and Nevada using a mobile microfilm unit mounted in a truck. That's all well and good -- anyone could do that -- but they also produce the most amazing COM index which gives access to all realty information, including the plat, three ways: by street address, owner's name and parcel number. The system is called "Realtyfiche" and is available for \$250. per year for the average county. Both Steve Mullins, Map Room, General Library, UC Berkeley, and I, are trying to pry loose an agreement to take old sets off their hands. If either of us gets lucky, I'll let you know.

MAGAB

I'm still waiting for information on the Microfilm Association of Great Britain's meeting of October 18, 1979 -- "Microfilming technical drawings, maps & plans - an afternoon MAGB Seminar".

PRICE BOX SCORE

Library of Congress Photoduplication Service	\$8.50	4x5" photographic negative
Spanish Microfilm Service	.50¢	105mm multi-image fiche
National Map Collection (Canada)	.50¢	105mm single image fiche
Provincial Archives (British Columbia)	1.00	105mm single image fiche
U.S. National Archives	?	105mm & 70mm single image
NCIC	2¢	35mm frames on full rolls
NCIC	50¢	multiple image fiche
American Geographic Society	?	Prices being reset for rolls & fiche. Stay tuned.
U.S. Government Printing Office	.50¢	single/multi-frame fiche
Commercial microfilers	1.65	105mm single image negative

PATENTS

Being a busybody is fun once you learn where to pry (and recover from learning where not to). To wit: two new micro gizmos of interest.

4,149,783

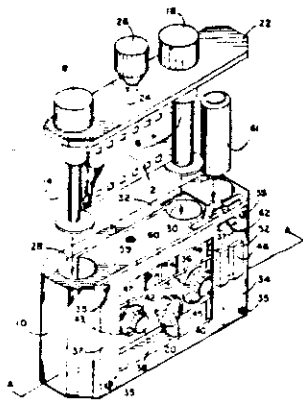
**MINIATURE MAP VIEWER WITH ALIGNING RETICLE**

William R. Latady, 220 Prospect St., Hingham, Mass. 02043  
Continuation-in-part of Ser. No. 557,983, May 16, 1975, abandoned, and Ser. No. 559,163, Mar. 17, 1975, abandoned. This application Sep. 26, 1977, Ser. No. 836,677

Int. Cl.<sup>2</sup> G03B 21/00

U.S. Cl. 353-11

13 Claims



1. A miniature map viewer employing a magnifying lens adapted for viewing a map image having information of a size not normally discernable to the human eye, said map image having a compass orientation thereon, said viewer comprising:

- a. a housing;
- b. means for mounting said map image within said housing;
- c. means for illuminating said map image;
- d. a reticle rotatable mounted within said housing in close proximity to said image;
- e. a magnifying lens mounted within said housing arranged for simultaneous viewing of said image and said reticle;
- f. lens scanning means arranged to move said lens and said reticle in a plane to scan the surface of said image; and
- g. reticle indicator means for determining the angular orientation of said reticle with respect to said compass orientation of said map image, said reticle indicator means comprising:
  1. a circular degree scale rotatably mounted on said viewer; and
  2. reference ring means having a reference mark inscribed thereon rotatably mounted on said viewer, said ring means arranged concentrically with said circular degree scale.

SANBORN FIRE INSURANCE MAPS - Additional Illinois Holdings

The following list of Sanborn maps is a Supplement to those Illinois maps cited in the Union List of Sanborn Fire Insurance Maps Held by Institutions in the United States and Canada, Volume 1 (Alabama to Missouri), by R. Philip Hoehn. 1976. WAML Occasional Paper No. 2.

The citations were compiled by Grant Talbot Dean, Reference Librarian at the Chicago Historical Society (Clark St. at North Av., Chicago, IL 60614)

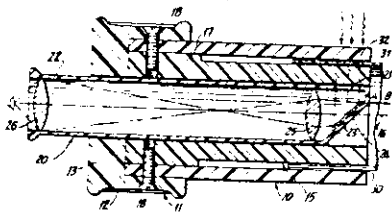
<u>Town</u>	<u>Date</u>	<u>Sheets</u>	<u>Town</u>	<u>Date</u>	<u>Sheets</u>
Danvers	1910	2	Murphysboro	1914	13
Dundee	1912	8	Orion	1913	4
Hopedale	1914	1	Paris	1917	1
McHenry	1912	5	(sheet 27 is additional sheet)		
Mackinaw	1910	3	St. Charles	1912	8
				1923	14
			Tampico	1910	2

*Submitted courtesy of R. Philip Hoehn.*

[Microcartography, by Larry Cruse -- PATENTS, continued from preceding page.]

4,149,776  
**PORTABLE MICROFICHE READING INSTRUMENT**  
 Seth L. Everett, Jr., Monmouth County, N.J., assignor to The United States of America as represented by the Secretary of the Army, Washington, D.C.  
 Filed Apr. 24, 1978, Ser. No. 898,738  
 Int. Cl.<sup>2</sup> G02B 27/02; G09F 11/30  
 U.S. Cl. 350-241

8 Claims



1. A portable viewing device for viewing photographic matter on film, such as microfiche film cards, including a cylindrical translucent diffuser tube which provides for entry of sufficient light under daylight ambient conditions for viewing the film;
  - a transparent cylindrical mounting tube centered within said diffuser tube to provide a cylindrical gap between said diffuser tube and said mounting tube for the insertion of said film; and
  - a hollow slide tube having a central axis and centered in said mounting tube and movable along its axis and about its axis by hand operation within said mounting tube, said slide tube forming an optical path and comprising a window in said slide tube near one of its ends which acts as a film gate, a reflecting mirror fixed within said slide tube at an angle to the axis of said slide tube and in image reflecting position relative to said wall window, a magnification lens fixed within said slide tube and an eyepiece lens fixed within said slide tube;
- wherein said slide tube may be moved by hand so that a desired portion of the film may be lighted through said diffuser tube, seen through said wall window and enlarged and viewed.



# ATLAS & BOOK REVIEWS

Review Editor:

Sandra Lamprecht  
Map & Geography Librarian  
The Library  
California State University  
Long Beach, California 90840

Kahr1, William L., ed. The California Water Atlas. Prepared by the Governor's Office of Planning & Research in cooperation with the California Department of Water Resources, 1979. Available from State of California General Services, Publication Section, P.O. Box 1015, North Highlands, CA. 95660, and from William Kaufmann, Inc., One First Street, Los Altos, CA. 94022. 118 p., plus vi p. \$37.50. LC: 78-620062. ISBN: 0-913232-68-8.

Once its formal blue cover has been opened, this atlas is revealed as a voluptuous, memorable triumph of compilation, artistry, and printing. No hype -- let doubters of this statement stop at a bookstore and glance, for example, at pages v, 18, 21, 52, 57, 59, 70-71, 80, 89, 96-97, and 105. These, and many other, graphics are printed with excellent register in full color on heavy, glossy paper. By my tally there are forty-five maps, twenty-six statistical tables, twenty-one graphs and graph-sets, sixteen other diagrams and diagram-groups, thirty-one satellite images, eighteen low-level aerial photographs, and fifty-nine ground-level photos and miscellaneous other graphics. Nine state maps occupy full pages, and a tenth map, titled "California Waterscape", forms a double-page layout. An annotated bibliography contains four-score individual entries and series titles, among them many otherwise obscure agency publications.

The "atlas" is also a textbook, almost one-third of its space being devoted to narration, including nineteen brief articles on special subjects and extended captions for many graphics. The basic narrative equates, in length (some 90,000 words) and format, with a standard paperback text. Words, graphics, and statistics all are organized into eleven chapters. In addition to treating such conventional topics as the environment, production, delivery, and usage of water, there are chapters on water pricing, aqueous litigation, the Great Valley, and the Colorado River. Historical dimensions are covered generously in one separate chapter and in parts of others. The closing narrative considers "Unresolved Questions for the Future".

Perfection in so ambitious a work is not a realistic expectation. One principal shortcoming concerns the main narrative. Though carefully crafted on the whole and probably comprehensible to the average newspaper-reading adult, the text is sometimes vague, verbose, or diversionary. Paragraphs run interminably, topic headings are sparing, and there is no visual highlighting of special terms and places, making the written segment of the atlas a less inviting or effective reference tool than it could be. More important, there is no over-all system for relating text with graphics, even though the two must

often be placed pages apart. I wish the graphics had been numbered and keyed into the narration, and that they had been listed more handily than under an obscure heading at the end of the atlas. Above all, this volume begs for a full index in place of the sketchy one that has fewer than 160 entries.

A second general drawback is the stress on superficial appearance, however appealing, at the expense of efficiency and usability. Though unquestionably eye-catching and ultimately informative, some graphics will prove beyond the ken of many readers. Owing to their complex designs, not all schemata are readily fathomable (page 59) nor their numerical values easily measured (page 99). The colors are attractive but sometimes too subtle for persons, such as I, who have trouble differentiating even Monopoly property colors (Where, in the legend color patches on page 83, is a mate for the map's purple?). Heroic page dimensions (18 by 15½ inches), occasionally useful, are unwieldy and for the most part needless. There is unused space in the three-inch outer margins that border narrative columns, and some graphics (as on pages 11, 21, 38, and 57) are larger than their contents justify. Many NASA satellite images show metropolitan areas in general rather than truly illustrative hydrographic features, perhaps an essential selling point. Even so, their captions could be made more informative (the caption on page 101, for example, might name the Dumbarton Channel and point out the plainly visible Hetch Hetchy Aqueduct and Menlo Park wastewater treatment plant).

Among some lesser imperfections are occasional laggard data (for 1970 and 1972), overly-varied map scales that hinder a real correlation, absence of county boundaries on large state maps, omission from all maps of some places cited in the text, an incomplete glossary of terms, and exclusion of journal articles from the bibliography.

There are available maps that I wish had been included or shown more fully: drainage and irrigation districts, the intricate water delivery systems of the Gold Country, thermal and normal springs, recreational white-waters, flood risk (federal insurance) zones, natural river runoffs, water table levels, saline encroachment, surface subsidence accompanying groundwater extraction, precipitation intensity in relation to runoff, and Pluvial-age conditions in the eastern desert. Other desirable maps, such as snowpack water output and the volumes and safe yields of the state's aquifers, were perhaps among those for which the authors could not obtain sufficient data, in which cases the reflection is upon not the atlas makers per se, but the responsible agencies.

Let not my litany of shortcomings constitute a turnoff, either implied or inferred. Priced in the vicinity of six dollars a pound, the atlas is cheaper than some foods and beverages, and it is perforce more durable and nourishing than they. Remember, this is a complete book, as well as an atlas, a bibliography, and even something of an almanac. It is authoritative, involving input from twenty-one named contributors in addition to the general staffs of two state agencies. Its "Advisory Group" includes such prestigious names as Raymond Dasmann, Mason Gaffney, and Luna Leopold.

I found no serious mistakes, no stark distortions, no crucial omissions. If the posture of the Bureau of Reclamation (recently renamed, alas, the federal Water and Power Resources Service) seems to suffer by comparison with

Sacramento's whitest linens, we must remember the atlas sponsorship and be grateful for its essentially even-handedness. The bases for most of today's delicate water issues and acrimonious debates are at least touched upon, even if not elaborated--there is much to be read "between the lines" by those able and inclined to do so.

The atlas has further virtues. Many graphics represent laborious compilation and original presentation of data that are inaccessible to the general public. The narration is well-edited for consistent style and integration of subject matter. Only a handful of typographical errors appeared in a full reading. Data in the main are current and are cast in a format that assures reasonable endurance as an information source. The atlas to its credit assigns dates to most of its information and it confines metrification to simple instructions for conversion. To many cartophiles, the graphics will be downright beautiful and often intriguing. The atlas is also of interest for its evolution that involved an unusual amalgam of state agencies, academic cartographers, commercial publishers, and others. Its production background, given in some detail, includes acknowledgements that rival in length the credit lines for motion picture films.

The atlas proposes as its goal "to enhance public understanding of the problems we must confront together". The essential beginning, namely the drawing of attention to the subject, has been achieved to the full extent that it is within the power of "socko graphics" to do so. The intellectually preferable alternative of a tightly-presented and issues-oriented text, pages of tables, and smaller, simpler, more numerous and more uniform maps--all elaborately interrelated by exhaustive cross-references and indexing--simply would not be as attractive to readers at-large, even if less expensive. The next step, that of interpreting and utilizing the atlas contents, will require assistance from librarians, teachers, and other professionals. But first must come access. I would be disappointed not to see this "atlas" find its way into every general, high school, and college library in California, and into selected libraries elsewhere in the water-conscious West. Once there, its utilization ought to be appreciable.

Rodney Steiner  
Professor of Geography  
California State University  
Long Beach, California

Imago Mundi: The Journal of the International Society for the History of Cartography. Volume 30 (Second Series, Volume 4) Kent, England: Imago Mundi Ltd., 1978. 144p. ISBN: 0-905776-01-1.

In the four years since Imago Mundi has been the organ of the International Society for the History of Cartography it has undergone a remarkable renaissance. Founded by the late Leo Bagrow in 1935 and published intermittently and in several European cities from that date until 1974, Imago Mundi provided a remarkable vehicle for the study of early maps. However, it had a precarious financial existence, buttressed, from time to time, by Foundation grants. The entire enterprise was recently put on a more businesslike footing as Imago

Mundi Ltd. with headquarters at the map publishing establishment of Harry Margery in southern England. Imago Mundi is now issued free to members (institutional and personal) of the International Society for the History of Cartography in return for their annual subscriptions. Furthermore, past volumes are available either as a complete set or separately. For information on these annual issues and also for Supplements covering selected single subjects, one should contact the Secretary and Treasurer, Mr. Harry Margery. [Harry Margery, Lympne Castle, Kent, England]

The format of the new Imago Mundi, between hard covers, is especially attractive to librarians as the price for binding rises astronomically. The contents continue the same high standards for which the journal had been recognized for more than forty years. Professor Eila M. J. Campbell of Birkbeck College, University of London, is the Executive Editor. She is supported by an Editorial Committee, Corresponding Editors and a Board of Directors with members drawn from a number of countries. This ensures the thoroughly international character of the journal.

Volume 30 of Imago Mundi contains five major articles, three shorter contributions and notices, obituaries, chronicle and reviews. The lead article, "The Map in Vermeer's Art of Painting" by James A. Welu is illustrated by a color plate of this well-known canvas and fourteen black and white illustrations. J. Brian Harley and Glyn Walters collaborate to write on English map collecting as shown by Sotheby's sale catalogs, and Marcel Destombes treats Dutch maps of the seventeenth century. The scene shifts to North America with Louis de Vorse's discussion of Amerindian contributions to mapping, but returns to Europe with Tony Campbell's look at Erhard Etzlaub's Rom Weg map of c. 1500. These four articles, like the lead article, are well illustrated and provided with appropriate references and notes.

Obituaries of Armando Cortesão, Myriem Foncin, Franz Grenacher and Karel Kuchař indicate the extent of the recent loss to scholarship of these well-known historians of cartography. Then follow reports of the Seventh International Conference on the History of Cartography held in Washington, D.C. in 1977 and the Chronicle of personal news, conferences and meetings, institutional news, exhibitions, notable acquisitions, and unusual items at sales. Under the Review Section seven books are discussed, while many times this number of articles are noticed in the Imago Mundi Bibliography. An index completes the volume which is essential reading for serious collectors of old maps, map librarians and interested geographers, as well as for historians of cartography.

Norman J. W. Thrower  
Professor of Geography  
University of California  
Los Angeles, CA

Post, J. B. An Atlas of Fantasy. 2nd edition, revised. New York: Ballantine Books, 1979. 210 p. \$8.95. LC: 79-63506 ISBN: 0-345-27399-0.

The second edition of this fascinating collection of maps from fantasy and science fiction literature represents an improvement over the first edition. Better prints of many of the maps were available and the poorer quality maps for which no better reproductions existed were eliminated. This results in an overall more legible work. A new format of 11" x 8 3/8" (28.1 x 21.3 cm) instead of 8 5/8" x 11 1/4" (22 x 28.5 cm) has been used. This format is perhaps somewhat more difficult to shelve, but allows almost all of the maps to be shown on a single page with no distracting split in the middle. In most cases it also allows a description of the map on the facing page. Many new maps have been included in this edition, especially those which were drawn after 1972. Among these are the map of Beleriand from Tolkien's Silmarillion and the Belkan Empire from Shardik by Richard Adams.

The maps are arranged in a generally chronological order according to the first publication date of the books which they illustrate; however, all maps illustrating a single author's works are grouped together. An index of artists is included which is helpful, but it would also be useful if all of the maps were dated, at least approximately.

The selection of maps is quite representative of the genre except for "disproportionate maps" which do not seem to fit the concept of the work. However, as Post points out, his personal concept of fantasy governed the final choice of maps. The disproportionate maps do provide the reader with an interesting version of mental maps.

Overall this is a delightful atlas which should please the devoted fans of the fantasy and science fiction and also be of interest to students of cartography since many mapping trends can be identified. The second edition is paper bound which lowers the price and makes it easily affordable. The Atlas of Fantasy will undoubtedly be in great demand in both institutional and home libraries.

Judith A. Tyner  
Associate Professor of Geography  
California State University  
Long Beach, CA

Atlas de Colombia. 3d edition. Planned and directed by Eduardo A. Latorre. Bogota: Instituto Geografico "Agustin Codazzi", 1977. ca. \$46.00 U.S. (\$2,000 Colombian).

Between the opening thirty-nine pages of general information on cosmography, astronomy and physical geography of the earth and the concluding few on numismatics and philately of Colombia, this is a very appealing atlas. It is magnificently efficient in presentation of one section; yet in another poor planning is very evident and detracts from the otherwise very favorable impression. On the whole, however, I like it better than any other national atlas of the South American continent. It promises high usage within scholarly libraries, and in any collection serving students of Latin America. For the price, the atlas is an excellent buy.



As a firmly sewn, cloth-bound reference volume, it is attractive and apparently durable. Some outside page margins are too narrow and all two-page spread maps have gutters which are too tight. All such cartographic plates in atlases should be on stubs.

For physical maps of the entire nation, a scale of 1:5,000,000 is employed; for maps of regions and states, all with a pleasing range of hypsometric greens and browns, and designated contours, scales of 1:700,000 and 1:900,000 are used. Within the opening 134 plates of physical geography, the nation is twice covered. Again, in the section on human and political geography, the physical relief is indicated on the plates for each political unit of Colombia. In this case, repetition does emphasize the appropriate point that in Colombia there is a great amount of relief in many of its twenty-nine states. Nevertheless, to me, a student of efficiency in atlas compilation, redundancy means poor planning.

The second major section of this atlas, on the cultural geography of the country, contains very few pages of Spanish text, hence it does not overwhelm a reader with poor facility in the Spanish language. The Spanish language captions and map titles-legends are easily read by anyone accustomed to atlas perusal and just a mite of Romance language experience. The colors chosen for the symbol schemes are not the most bold nor cartographically as adventurous as in some recent atlases, but they are distinct and clearly accomplish the stated purposes of the plates. Maps of major cities in the human geography section employ scales of 1:25,000 or greater. With each city plate there is also a very clear oblique black and white aerial photograph of that city. A very few well-chosen color photographs also indicate the human endeavors of the area. This section is decidedly better planned than the physical geography section of Colombia.

Following the political and economic maps for each of the states, there are eleven plates of historical cartography; the maps included range in date from 1570 to 1927. I am sensitive to this subject and appreciate such a section in national atlases. This particular section is also a pleasing one.

Comparing the Atlas de Colombia with the last edition of the National Atlas of Venezuela--a comparison which is unfair for I have no means of knowing their respective publication budgets--the national atlas of this coffee-producing nation will be much more meaningful to the North American geographer than the atlas from the neighboring OPEC country to the northeast.

Edward P. Thatcher  
Map Librarian  
University of Oregon  
Eugene, OR

The Quarterly Journal of the Library of Congress. Washington, Superintendent of Documents, U. S. Government Printing Office. \$9.00/year or \$2.25/single issue. LC: 44-40782 ISSN: 1141-7939.

This useful and attractive journal contains articles relating to some of the important and fascinating items in the Library of Congress collections. Because of the diversity of LC's holdings, The Quarterly Journal is of interest to a wide variety of readers. While map librarians may be particularly eager to read articles about rare maps in the Geography and Map Division, they will also find informative articles relating to travel, history, literature, fine arts, manuscripts, letters, etc.

It is a well-designed journal with many illustrations, both colored and black and white. The editors try to maintain a balance between scholarly and popular approaches to the subject matter, so the articles, written by scholars and LC staff members, appeal to general readers as well as to subject specialists.

Most of the quarterly issues contain four or five articles on unrelated topics. Occasionally, however, an issue is devoted to a single field. For example, the Summer 1979 issue deals exclusively with cartography and maps. Articles by Richard W. Stephenson and Sibley Jennings, Jr. focus on one of the cartographic treasures of the Library of Congress, L'Enfant's 1791 plan for the construction of the nation's capital. The third article "Mapping the Nation's Capital: The Surveyor's Office, 1791-1818" by Ralph E. Ehrenberg, follows the planning and development of Washington subsequent to the discharge of L'Enfant as designer and surveyor; and the final article "Aborted American Atlases" by Walter W. Ristow, describes several late 18th and early 19th century atlases that were never completed. All of the articles are well-documented, clearly written and appropriately illustrated.

Inclusion in major indexes is an important consideration in making decisions about journal subscriptions. This one is indexed in Library Literature, Historical Abstracts, America: History and Life, Index to Periodical Articles Relating to Law, MLA Bibliography, and Writings on American History.

The Quarterly Journal of the Library of Congress is highly recommended. Although individual issues may be purchased, most academic and public libraries should have a subscription. Microfilm copies of prior years (1943-1978) are also available from University Microfilms.

Kee DeBoer, Head  
Social Sciences/Business Reference Dept.  
California State University  
Long Beach, CA

ANGLO-AMERICAN CATALOGUING COMMITTEE FOR CARTOGRAPHIC MATERIALS<sup>§</sup>

Committee reports edited by - Stanley D. Stevens

This is an international committee representing the national libraries of Australia, Canada, the United Kingdom, and the United States as well as all the map library associations in these respective countries.<sup>1</sup>

The Anglo-American Cataloguing Committee for Cartographic Materials, hereinafter referred to as AACCCM, met in Ottawa, October 1-5, 1979, for its first and formative conference.

The group was officially welcomed by Michael Swift, Director General of the Archives Branch, Public Archives of Canada. In his remarks, Mr. Swift noted the purpose of the meeting was to consider the Anglo-American Cataloguing Rules, second edition (AACR 2) as they relate to cartographic materials. He emphasized that the delegates present collectively represent map cataloguing expertise in the Anglo-American cataloguing community. This presented, he said, an unparalleled opportunity for the map library community to speak with one voice and thereby have a major impact upon the interpretation of AACR 2.

The following delegates, representing the libraries and organizations as indicated, were:

Vivien Cartmell  
Documentation Control Section  
National Map Collection  
Public Archives of Canada

Thomas Delsey  
National Library of Canada

Roger Fairclough  
British Cartographic Society

Mary Larsgaard  
Special Libraries Association,  
Geography and Map Division, and  
Western Association of Map Libraries

Pierre Lépine  
Association of Canadian Map Libraries

Yolande O'Donoghue  
British Machine Readable Records, Maps  
Steering Committee (includes repre-  
sentatives of British Library, Na-  
tional Library of Wales, and Nation-  
al Library of Scotland)  
British Library: Observer

Velma Parker  
Documentation Control Section  
National Map Collection, Public Arch-  
ives of Canada

John Schroeder  
Geography and Map Division  
Library of Congress

Hugo Stibbe  
National Map Collection  
Public Archives of Canada

<sup>§</sup> Excerpts from the Minutes of the first meeting, and from Newsletter Nos. 1, 2, and 3. The Minutes were produced by Barbara Farrell, Recording Secretary, Carleton University, Ottawa. The Newsletter is produced occasionally by the AACCCM Secretariat, c/o National Map Collection, Public Archives of Canada, 395 Wellington St., Ottawa, Canada K1A 0N3. (Newsletter No. 4, Feb. 4, 1980, consists of comments from Committee members to various proposals.)

<sup>1</sup> According to the Minutes of the October 1-5, 1979 meeting, "It was desirable that Australia and New Zealand should be invited to participate." As of this report, Australia's National Library and AMCC have joined.

Ben Tucker  
Library of Congress

Kate Donkin  
Chairman

Joan Winearls  
Association of Canadian Map Libraries

Barbara Farrell  
Recording Secretary

In his welcoming remarks to the delegates, Michael Swift expressed the hope that eventually representatives from Australia and New Zealand would be able to participate.

Newsletter 3 (December 14, 1979) reported that two new members had been added to the membership:

"Dorothy Prescott will represent both the National Library of Australia, and the Australian Map Curators Circle. Mary Larsgaard has happily turned over the reigns as WAML delegate to Stanley Stevens. Mary will, of course, continue as the SLA-G&M representative."

Dorothy Prescott  
Map Collection  
National Library of Australia and  
Australian Map Curators Circle

Stanley Stevens  
Western Association of Map Libraries

#### Purpose of the Meeting

Hugo Stibbe explained that the rationale for calling the meeting included the desirability of the whole Anglo-American cataloguing community to implement the provisions of AACR 2 in the same manner.

He indicated that as the AACR 2 rules were put into practice that it would become obvious that uniformity of interpretation would become necessary.

The ensuing discussion indicated that the delegates, though working in widely divergent situations and with different cartographic materials, had experienced similar problems and frustrations in dealing with the cataloguing of cartographic materials. Their objectives were similar, and they were committed to the general principles of AACR 2, and they agreed that clarification and amplification of the rules as they relate to cartographic materials was essential.

One of the purposes of the meeting was to discuss the possible production of a manual for the interpretation of AACR 2 for cartographic materials. It would be greatly beneficial if the manual were to have the formal support of the national libraries and the map library/cartographic associations. All delegates were working toward the adoption of automated systems and this mandated consistency.

#### Objectives & Principles Endorsed

John Schroeder proposed that certain principles be adopted, and the delegates gave their commitment to the following objectives:

- a) The general principle of maximum uniformity of description and access to information, regardless of format.
- b) The maximum compatibility of bibliographic description between cartographic and other materials in order to meet the reference requirements of general libraries.
- c) Support for the concepts, general principles, and much of the specific content of AACR 2.
- d) The maximum conformance with AACR 2, while at the same time ensuring responsiveness to the unique physical and bibliographic requirements of cartographic materials.
- e) The expansion and interpretation of AACR 2, particularly Chapter 3, in order to achieve standardization, consistency and precision in cataloguing cartographic materials.
- f) The resolution of some basic problems in cataloguing cartographic materials such as how to handle:
  - 1) inconsistencies in the arrangement of bibliographic information on maps and the scattering of bibliographic elements;
  - 2) the frequency of omission of key bibliographic elements, e.g., date;
  - 3) differences in concepts and definitions of terms between cartographers, map librarians and book librarians.

#### Discussion on AACR 2, rule 21.1B2 - Main Entry

The group discussed the particular problem of main entry. The British and Canadian delegates reported that, during their early considerations of map cataloguing, that they had had a strong commitment to area main entry, but had reluctantly come to the conclusion that this was all but impossible to effect on a universal basis. It was agreed that title main entry for cartographic materials was quite inadequate. Author main entry was acceptable but, because a majority of cartographic works emanate from corporate entities, this could work only if entry under corporate body were permitted. The group was unanimous in its support of this qualification.

#### Support for Corporate Body Main Entry

Mrs. O'Donoghue read a statement as follows: "At a meeting of 3 September 1979 the British Machine Readable Records Maps Steering Committee expressed its support of a proposal relating to AACR 2 Corporate Bodies General Rule (21.1B2), to the effect that an exception should be made for maps, so that an authority heading could be used as a main entry." (The statement was signed by Helen Wallis, Secretary, BMRRMSC.)

John Schroeder reported that entry under corporate body had worked for ten years at the Library of Congress, under the MARC-Map system.

Mr. Delsey supported this position on behalf of the National Library of Canada.

Ben Tucker explained the objectives of the authors of AACR 2 in wishing to limit corporate entries, but admitted that there had been strong opposition to title main entry from the map librarianship community. He agreed to ask the Library of Congress to support the group's position. ¶¶ Late Report: The LC Cataloging Service Bulletin (No. 7, Winter 1980) announces that the Library of Unanimous Endorsement of Statement Congress has accepted this recommendation.

Each of the eleven delegates agreed to and signed the following statement, which was to be disseminated as widely as possible:

*"The undersigned, as representatives of the organizations indicated, unanimously and emphatically endorse the recommendation that the British Library, Library of Congress, National Library of Australia and the National Library of Canada, interpret AACR 2, rule 21.1B2, to permit entry under corporate body for much of the cartographic material presently excluded from corporate main entry by AACR 2."*

Newsletter 2 (November 16, 1979) reported that the Canadian Cataloguing Committee (CCC) had met on November 1 and it had endorsed the recommendation.

#### Discussion on General Material Designation, rule 1.1C

The concept of general material designation (GMD) was discussed at length. There was general disapproval of the terms 'map' and 'globe' in the North American list (rule 1.1C, list 2). The term 'cartographic material' in the British list was widely preferred although a major problem inherent in the concept - that of overlap of materials as, for example, cartographic material which is also a slide, transparency, manuscript or microform - was recognized.

Ben Tucker explained that, in an automated system, the question was largely one of display. There was, he considered, no real problem in different agencies using different terms. Others, however, emphasized the desirability of using the same term. Mr. Tucker stated that the Library of Congress will, at present, have to adhere to the North American list despite the strong opposition of the Geography and Map Division.

The intentions of libraries regarding the use of the optional addition GMD were recorded at this point:

- Geography and Map Division, LC, will not apply the GMD option to cartographic materials.
- British Library has announced that it will not apply the option in the records it creates.
- National Map Collection of Canada will not apply the option.
- Mary Larsgaard indicated that North American libraries would not use the option and instead would supply added title information.

The consensus of the group was a strong desire to make possible the future use of GMD's by the general adoption of the term 'cartographic material'. The following statement was therefore drawn up and approved for submission to

the Library of Congress:

*"The group discussed general material designations (GMDs), particularly the GMDs 'map' and 'globe' found in the North American list in 1.1C of AACR 2. It considered the term 'cartographic material' found in the British list to be the more appropriate term because the words 'map' and 'globe' are too specific and do not include all materials which come within the widely accepted definition of cartographic material. The group has decided to oppose the display of a GMD for cartographic material at this time. It observes that the matter of a GMD might be reconsidered if, in future, the terms 'map' and 'globe' in the North American list were to be replaced by the term 'cartographic material'."*

#### Discussion of Cataloguing Cartographic Material Issued in Parts, rule 3.0J

Rule 3.0J provides three techniques for dealing with cartographic material issued in parts, but does not give any guidelines as to which technique to apply to a given cartographic work issued in parts.

Hugo Stibbe suggested that a tentative classification of cartographic works issued in parts, such as he had used in MARC-maps: the history of its development and a current assessment could be considered as the starting point for such a classification.

It was agreed that an authoritative classification was necessary as also were criteria as to which technique should be used. John Schroeder and Hugo Stibbe agreed to undertake the work involved in constructing this classification and establishing criteria.

#### Discussion of Construction of Titles and Choice of Title Proper, rule 3.1B3/1.1B8

The group concurred that the wide variation in layout, type styles, etc., on cartographic materials caused difficulties in constructing titles and choosing the 'title proper', such that guidelines to amplify rule 3.1B3/1.1B8 were essential.

The problem of identifying the 'title proper' when title elements are scattered over the face of the map, was discussed. The group emphasized the necessity of recording title information as exactly as possible and using as few supplied words as possible. John Schroeder expressed willingness to draft guidelines according to the following criteria identified by the group: following the typography, recording the most prominent (not necessarily the largest) type first; if type is equally prominent record area first; do not supply connecting words.

The questions of guidelines for supplying a bracketed series title (i.e., one which does not appear on the map) was then introduced. The problem of priorities for title elements to be included in a unique title was discussed. The following elements were identified for inclusion in a unique title: area, subject, scale, corporate body, series number, edition, and date. As many elements as are necessary to make a title unique are used, in the sequence indicated, and selected on the basis of the priority rating:

Sequence	Element	Priority
1	Area	1
2	Subject	2
3	Scale	1
4	Corporate body	3
5	Series number	3
6	Edition	3
7	Date	2

Commas were suggested for punctuation. Series numbers such as Z741 should be considered as part of the title. They are, in fact, alternative titles.

John Schroeder recommended that the guidelines be put in the manual as a supplied collective title for series only. Introductory guidelines were tentatively formulated:

- a) If a clearly identifiable and consistently used series title is provided then this should be used as the title proper.
- b) If, however, the series title proper (together with the heading) is not unique and, for the purposes of collocation and identification, additional elements are required, a unique title should be constructed, used the guidelines, and superimposed (i.e., inserted above the title proper).
- c) If there is no readily identifiable series title, or if it is not consistently used from sheet to sheet, then construct a title, using the guidelines, and use this as the title proper for the series.

#### PLANS: --- Manual for Cataloging Cartographic Materials

As indicated by the expressions of motivation for calling together these delegates, the formulation and publication of a cataloging manual was thought to be of the highest priority of the new Committee.

It was agreed that Hugo Stibbe would be the general editor of the proposed manual and that the National Map Collection of Canada would function as the Secretariat.

It was agreed that it would be desirable to have the publishers of AACR 2 publish the manual. Editorial control would remain with AACC-CM, and if the publishers of AACR 2 chose not to publish the manual the Committee would consider other standing offers.

A timetable for preparation of the manuscript has been established to meet a January 1981 publication date. During December 1979 and January 1980, exchanges of position statements were exchanged between Schroeder and Stibbe



to comment on the subjects of Main Entry and Series, and various other members were to formulate proposed sections of the manual: Introduction - Stibbe; Diagrams to illustrate rules - Barbara Farrell; Appendix on glossary - Vivien Cartmell et al.; Appendix on scale calculation - British delegation; Appendix on examples of full descriptive entries and illustrations - All the Committee.

The first draft of the manual was to be typed in February 1980, and then by April 30th it would be submitted to all Committee members. The manuscript is scheduled to be submitted to the publisher by August 31, 1980.

### General Organization of the Manual

The manual will be organized into several parts: introduction, text, appendices, glossary, and an index.

Special emphasis was placed on the adequacy of the glossary, and a list of more than 340 terms (including cross-references) was circulated in the Committee's Newsletter 3 for comment and contributions.

Hugo Stibbe has constructed the following list of Specific Material Designations for consideration: [the SMD is defined in AACR 2 in the Glossary on p. 571: "... class of material (usually the class of physical object) to which an item belongs ..."]

	atlas	( 2)
	diagram	( 5)
NB. The number of sub-	globe	( 4)
ordinate terms for	map	(73)
each SMD is indica-	model	( 3)
ted (--).	profile	(--)
	remote sensing image	(16)
	section	(--)
	view	(11)

Definitions for all terms used are to be included in the glossary, and one authority for the definitions is the Multi-lingual dictionary of technical terms in cartography (Wiesbaden : Franz Steiner Verlag, 1972).

Of the hundreds of terms itemized in the Newsletter 3, several have yet to be defined:

Anamorphic map	False colour photo image	Parts (as related to maps)
Celestial hemisphere	Landscape sketch	Physical map
Elevation view	Map serial	Plane map
	Military sketch	Topographic print
	Paper building model	Topographic sketch

### Subsequent Proposals on Definition of Terms

At a meeting in Washington, D.C., November 19-21, 1979, Hugo Stibbe and John Schroeder, along with Ben Tucker, discussed definitions for map series, a typology for map series, and other matters of common concern. The three participants agreed on the following definition for map series:

Map Series: A number of related but physically separate cartographic items intended by the producer(s) or issuing body(ies) to be a unit. For bibliographic treatment the unit is collectively identified by any commonly occurring unifying characteristic or combination of characteristics including a common designation (e.g., collective title, number, or combination of both); aerial coverage; scale; cartographic specifications; sheet numbering system (including successive or chronological numbering systems); uniform format; etc.

(The identification of types of map series will be in an appendix to the manual.)

The statement emphasizes that it is the producer or issuing body, not the receiving agency or library, that determines whether or not a number of separate items are a series. Great care was taken to ensure that the definition was broad enough to include serial but without actually mentioning the word "serials". The rationale for this position is that the drafters feel that: (1) a serial is a kind of series; (2) that the few existing map serials can be handled by chapter 3; and (3) that use of the term "serial" could create confusion among book librarians. Also, the term "set" was avoided in keeping with the same omission in ISBD(CM) and AACR 2.

Typology for Map Series:

1. *Contiguous area map series*, includes the topographic map series, the overlapping sheet series as a subtype, as well as special or thematic contiguous area map series.
2. *Special or thematic map series*, includes three subtypes as follows:
  - a) A group of maps each of a common area but displaying different themes (e.g., geology, soils, water supply, etc.)
  - b) A group of maps each of a common area displaying different aspects of the same theme (e.g., rainfall for each month of the year)
  - c) A group of maps devoted to a common theme but not all of the same area (e.g., a unit of maps indicating irrigation potential within a country).
3. *Successively numbered map series or repetitively titled map series*, i.e., arbitrarily numbered or repetitively titled, not necessarily having periodicity or predictable frequency of appearance.
  - a) Publisher's trade series (usually titled).
4. *Chronological map series*, i.e. having periodicity and predictable frequency.

The following subtypes are recognized:

- a) True serial (e.g., monthly weather maps; JRO Verlag ...)
- b) Artificial or "pseudo" serial (e.g., road maps issued each year in a new edition)

5. *Mixed media series and mixed series type map series*  
(to be defined with specific examples)

In the AACC-CM manual, the above short list will be expanded in an appendix to be prepared by Hugo Stibbe, and will consist of (1) an introduction, (2) a section on the identification of series, with names and characteristics, and, (3) a two-part section on the treatment of series. The latter section will deal with the decision-making process to be followed in the identification of a series, and also the choice of cataloguing techniques to be applied. The second part will outline the various options available (cards, lists, index maps, etc.), and the economic considerations.

Subsequent Proposal for Interpretation of AACR 2, rule 21.1B2 - Main Entry

At the November meeting in Washington, the three Committee members arrived at an agreement to use paragraph (c) of rule 21.1B2 (AACR 2) as a basis for interpreting and expanding the rule's operation.

The proposal, to be prepared in a document for the Joint Steering Committee of AACR, is as follows (additions underlined):

- 21.1B2 c) those works that record and present in its contents the collective thought and effort of the body (e.g., reports of commissions, committees, etc.; official statements of position or external policies; cartographic materials collectively conceived, designed and produced by employees of a body.

European AACC-CM Members Confer

Armed with the documentation from the Ottawa and Washington meetings, ten representatives of the British cartographic community, the Bibliographical Services Division of the British Library, and the Dutch Union Map Catalogue of the Netherlands, met for four-days of intensive discussions.

Although 60% of the documentation was completed, a second meeting was scheduled for February 1980. AACC-CM member Yolande O'Donoghue has reported that the participants intend to prepare contributions to the Introduction part of the Manual regarding "subject analysis", as well as on the topics of "series" and "general problems from chapter 1".

WAML Endorsement

Larry Cruse, President of WAML, has conveyed the organization's enthusiastic support for the Committee's work and plans for a map cataloging manual. In his November 20, 1979 letter to Hugo Stibbe, he thanked AACC-CM for its leadership role and "for allowing WAML to participate in this auspicious beginning."



Among those gathered to form the new Anglo-American Cataloguing Committee for Cartographic Material were (front row, left to right) Mary Larsgaard, Joan Winearls, Kate Donkin, Velma Parker, and Vivien Cartmell; (second row) Yolande O'Donoghue and Barbara Farrell; (third row) John Schroeder, Pierre Lepine, Roger Fairclough, Hugo Stibbe, and Ben Tucker.

Not pictured: Tom Delsey

### Anglo-American Cataloguing Committee For Cartographic Material Formed

The Public Archives of Canada, Ottawa, was the site of a meeting on October 1-5 called by Canada's National Map Collection to discuss the content of a cataloging manual for cartographic material based on the second edition of the *Anglo-American Cataloguing Rules* (AACR 2). The Association of Canadian Map Libraries was represented at the meeting by Pierre Lepine, Département des cartes et plans, Bibliothèque nationale du Québec, and Joan Winearls, Map Library, University of Toronto; the National Map Collection, Canada, by Hugo Stibbe, Velma Parker, and Vivien Cartmell; the British Cartographic Association, by Roger Fairclough, Map Department, University of Cambridge; the British Library, Map Library, by Yolande O'Donoghue; the Geography and Map Division of the Special Libraries Association and the Western Association of Map Libraries, by Mary Larsgaard, Map Room, Arthur Lakes Library, Colorado School of Mines; the Library of Congress, by John Schroeder and Ben R. Tucker; and the National Library of Canada, by Tom Delsey. Kate Donkin, Map Library, McMaster University, chaired the meeting and Barbara Farrell, Map Library, Carleton University, served as recording secretary. During the course of the five-day meeting the group decided to name itself the Anglo-American Cataloguing Committee for Cartographic Material.

The committee discussed rules in Chapters 1 and 3 of AACR 2 that map catalogers would need interpreted and illustrated and then decided on the content of most of this clarification. Other topics covered in the discussions were general material designations for cartographic material (AACR 2, rule 1.1C), sheet maps issued in parts ("map series"), and the effect of rule 21.1B2 of AACR 2 on cartographic material. For the first two matters, the committee decided (1) to recommend against the display of a general material designation for cartographic material and (2) to formulate an explanation of "map series" for the manual. On the question of main entry, it quickly agreed

with the many librarians who have written letters to the Library of Congress petitioning it to continue using corporate main entry for much cartographic material. The committee then decided to report its opinion formally to the national libraries of Australia, Britain, Canada, and the United States in the form of a resolution urging the necessary interpretation of AACR 2, rule 21.1B2.

When completed, the manual will contain rule interpretations, copious examples and other illustrations, a statement on main entry (including an interpretation of 21.1B2 for cartographic material if the national libraries agree), a guide for determining scale, an explanation of "map series," a glossary of cartographic terms not defined in AACR 2, and so forth. The National Map Collection of Canada will act as editor of the manual, a draft of which will be ready for circulation by April 30, 1980. Librarians who wish to suggest topics for inclusion in the manual are invited to communicate by February 29, 1980, with Hugo Stibbe, Head, Documentation Control Section, National Map Collection, Public Archives of Canada, 395 Wellington St., Ottawa, Ontario K1A 0N3, Canada.

The committee named the National Map Collection, Canada, as its secretariat and expressed the desire to foster communication among the bodies represented by the committee members on matters other than the AACR 2 manual. Each person present felt the meeting had been a significant occasion, representing the first time Americans, Britons, and Canadians interested in cartographic material and its bibliographic control had been able to discuss their concerns with one another and in the presence of cataloging generalists, leading to steps they might take in unison under the aegis of AACR 2.

Reprinted from: LC Information Bulletin  
November 2, 1979  
pp. 456-457

REFERENCE ROUND-TABLE

- # 10 In 1870, Mr. A. B. [or D] Bosworth conducted an aerial photographic survey of the coastal area of Southern California from a balloon platform pulled by horses. The survey began at the Mexican border and was carried north to some unknown point. We would like to obtain further information on this project and the photographs taken.
- Larry Cruse, Map Section C-075p, University Library, University of California-San Diego, La Jolla, CA 92093.
- # 11 Can anyone provide information on who is doing the following project, and/or published references to it:
- "a computerized data base of European geographic names during the Middle Ages".
- Larry Cruse, Map Section C-075p, University Library, University of California-San Diego, La Jolla, CA 92093.

The purpose of Reference Round-Table is to promote a sharing of information. You pose the questions, or, you provide the answers. Please send questions and answers direct to the Editor, they will be reported in the following issue. You may, if needed for clarification, contact the person who has posed the question, but please share the results with all of us. The last R R-T item appears in the March 1979 Information Bulletin.

ACQUISITIONS ROUND-TABLE

- # 11 Would anyone care to share their experiences in acquiring maps from Honduras?
- I would be interested in learning about topographic maps, transportation maps, population distribution, anything to do with marketing, including sources, prices, and all the usual acquisitions procedures.
- Stanley D. Stevens, Map Collection, University Library, University of California, Santa Cruz, CA 95064.
- # 12 A Guide for Purchasing Maps of Arizona, compiled by Christine M. Ziegler, University of Arizona, Tucson, was prepared for WAML's Fall Meeting held October 25-27, 1979 in Tucson, and distributed in the registration packets.
- This expertly designed guide is available from the Map Collection, University of Arizona Library, Tucson, AZ 85721 telephone (602) 626-2596.
- This is a good model if anyone is thinking about similar publications.

## PUBLICATIONS OF RELEVANCE

Contributors: AB = Anna Blustein, University Research Library, UCLA  
 MB = Mary Blakeley, University of Arizona, Tucson  
 JC = Jim Coombs, University of Illinois, Urbana-Champaign  
 LC = Larry Cruse, University of California-San Diego  
 RG = Richard Green, University of Iowa, Iowa City  
 PH = Phil Hoehn, University of California, Berkeley  
 RM = Riley Moffat, Brigham Young University, Provo  
 EP = The Editor, from Publisher's blurbs & items in hand

•  
 Andriot, John L.

RG Township atlas of the United States. Compiled and edited by ...  
 1979. [2d edition] McLean, VA., Andriot Associates, 1979. \$75.

"In reading p. 76 of the 'Publications of Relevance' section of the Nov. 1979 Information Bulletin, I see that you must have had only the publisher's 'blurb' available for your description for the Township Atlas of the United States, published by Andriot Associates. Rather than two volumes, this edition ended up published in 1979 in one hardbound volume (with a green cover) with the following pagination: xxix, 1184 p.

"This sort of change from announced plans for a publication from this firm is not uncommon. Enclosed is a copy of the title page and foreword for your information."

FOREWORD: This edition of the Township Atlas is being published to provide, in a single volume, a collection of maps of and indexes to the minor civil divisions of all 50 of the United States. An earlier edition was confined to only 22 States having named townships.

The Minor Civil Divisions Index contains 43,294 entries to the named subdivisions of the 3067 counties in the United States. The individual State sections contain sectional maps showing the Census County Divisions (CCD) and/or the Minor Civil Divisions (MCD). In the 30 States covered by the Public Land Surveys of the U.S. Government, a State map shows the individual townships resulting from the surveys. Also included are 275 maps of Urbanized Areas designated by the Bureau of the Census. A detailed index identifies 3,850 populated places located on these maps.

NOTE: Orders must be placed directly with Andriot, Box 195, McLean, VA 22101.

- Association of Canadian Map Libraries, Bulletin, Number 33, December 1979.

EP This issue contains many important items, including a most welcome tribute to the late Coolie Verner (1917-1979):

*An appreciation of Dr. Coolie Verner ..... by Dr. George Morrison*  
*Coolie Verner's contributions in the field of maps/Edward H. Dahl*  
*Coolie Verner's publications relating to the history of cartography and cartobibliography.....by Frances Woodward*

Dr. Verner's publications span thirty years, from 1949 to 1979, just in the field of cartography. Dr. Morrison notes that "172 of Coolie's 275 publications concerned adult education."

The Western Association of Map Libraries was among the many organizations that Coolie Verner shared his knowledge. On May 8, 1975 in Vancouver, at a combined meeting of WAML and ACML, Coolie presented "John Thornton: Hydrographer, 1641-1708". This presentation was later published in the WAML Information Bulletin (Vol. 7, No. 1, November 1975).

On a second occasion, although Coolie was unable to be present, he prepared "Carto-Bibliography" for the WAML meeting held at California State University, Fullerton, on October 24, 1975. His paper was read by his long-time friend Roy V. Boswell, host for the meeting. This was later published in the March 1976 Information Bulletin (Vol. 7, No. 2).

To quote from "Carto-Bibliography", the following passage is indicative of Coolie Verner's vision; indeed, he led the way ...

*"When selected with intelligence and used with discretion, early printed maps provide a visual representation of the ideas, concepts, beliefs, and superstitions about the physical world that were characteristic of a particular era. Carto-bibliographical description validates these documents of an age and it provides the materials for histories not yet conceived. Through the detailed study of printed maps we can accumulate data to analyze and describe publishing practices in the map and chart trade, the evolution of cartographic apparatus, and the history of man's growth in the way he perceived his world. It is rapidly developing as the newest approach to the study and use of maps and it is a fascinating bit of country remaining to be explored more fully."*

A Supplement to Bulletin Number 33 accompanies: Index to the ACML Bulletin / No. 1, 1968 - No. 31, 1979 / and to the ACML Conference Proceedings 1967 - 1976, compiled by Morag Carnie, University of Calgary Library.

Our thanks to Morag Carnie for this essential contribution.

- Automobile Association, London.  
AA touring guide to England / [editor, Russell Beach]. Basingstoke,  
*AB* [Eng.] : AA, 1974.  
363, xi, 42 p. : col. ill., col. maps ; 31 cm.  
Spine title: Touring guide to England.

- Biblioteca Apostolica Vaticana. Citta Del Vaticano.  
*LC* Carte topografiche a colori delle diocesi italiane dei secoli XIII e  
XIV delineate sulla scorta delle Rationes decimarum Italiae.

A set of 14 facsimiles, \$3.00 ea. Listed in Numero 48 - 1979, Pubblicazioni della Biblioteca Apostolica Vaticana, Catalogo di Vendita.

Venetiae-Histria-Dalmatia (foglio I); Venetiae-Histria-Dalmatia (f. II)  
Aemilia; Tuscia; Marchia; Umbria; Apruti-m-Molisium; Latium;  
Campania; Apulia-Lucania-Calabria (foglio I) & (foglio II) & (f. III);  
Sicilia; Sardinia.

- California State Lands Commission.  
*EP* An index to historical, hydrographic and topographic charts of the  
California coast / located in the files of the State Lands Commission.  
Prepared by the Staff of the California State Lands Commission. Sac-  
ramento, October 1979.

In 1971, the State Lands Commission began acquisition of negative film copies of the U.S. Coast Survey topographic and hydrographic charts of the California coast - from border to border. Some of the surveys are as early as 1835.

Compilation and indexing of the charts is now complete, and the Commission is now making these charts (on film) available to the general public. (They are also available through the National Ocean Survey.)

This Index provides information on the coverage and dates of the surveys, and how to obtain copies from the State Lands Commission - thru private contractors.

Copies of the Index are available from Mr. Roy Minnick, Supervisor,  
Technical Services Unit  
State Lands Commission  
telephone: 1807 13th Street  
(916) 322-3317 Sacramento, CA 95814

- Cole-Parmer Instrument Company, 7425 North Oak Park Ave., Chicago, Illinois  
*EP* 60648 (toll free (800) 323-4340; in Illinois (312) 647-7600

This company issued a catalog in February 1980, "Developments", and one in March 1980 entitled "Science Specialties". Both catalogs show a wide range of products manufactured by, and distributed by, this firm. The products are commonly found in scientific laboratories, and there are some that would be applicable to a library that is interested in protecting its collections: digital thermometers, voltage regulators, hygrothermographs, safety supplies and equipment, precision magnifiers (60X and 100X), microscope cameras, pH meters and recorders, and pH testing supplies.



- Colorado School of Mines. Arthur Lakes Library. Map Room. Golden, CO 80401 (303) 279-0300 x2697

EP

Mary Larsgaard, Map Librarian, is inviting interested librarians to set up an exchange of Acquisitions Lists with other map libraries. The Arthur Lakes Library, Colorado School of Mines, issues its "Library New Books" which includes maps and atlases. The list is issued approximately quarterly, and is OCLC computer-generated.

She has also issued a general description of the Map Room and a guide to "Finding a geologic map in the Map Room, Arthur Lakes Library, Colorado School of Mines".

- Encyclopedia of Geographic Information Sources. 3rd ed. Detroit, Gale Research Co., 1978. Paul Wasserman, managing editor.

RM

A companion volume to Encyclopedia of Business Information Sources, it lists almanacs, yearbooks, directories, guides, gazetteers, and statistical sources for over 400 areas.

- Executive Government Pocket Directory. 1980 Edition. Washington, D.C., WANT Publishing Company, P.O. Box 19510, Wash., D.C. 20036 (202) 783-1887. \$9.95 + 85¢ postage/handling; or if prepaid no post charge.

EP

This is a telephone listing of major federal, state, and local government offices. Special features include: governmental consumer information offices and toll-free numbers; federal information centers; selected federal regional offices; frequently called numbers.

- Gastil, Gordon and Daniel Krummenacher  
Reconnaissance geologic map of the west-central part of the State of Nayarit, Mexico. Boulder, CO., Geological Society of America, 1978.

JC

map 59 x 44 cm. 1:200,000 not free Map & Chart Series MC-24  
3300 Penrose Place, Boulder, Colorado 80301

- A Guide to historic places in Los Angeles County. Dubuque, Iowa, Kendall/Hunt Publishing, 2460 Kerper Blvd., Dubuque, IA 52001, 1978.

EP

Prepared under the auspices of the History Team of the City of Los Angeles American Revolution Bicentennial Committee. Editor-in-Chief: Judson A. Grenier.

illus., index. 324 p. \$4.95 paper. LC # 78-58730

Fifty pages of text written by several contributors on the history of Los Angeles. The County is divided into 12 areas with a map for each and the descriptions of the historical places within that area. It is reported that the maps in the book are very poor, but that the historical information is very useful.

- Guide to U.S. Government Maps, Topographical Maps of California.  
McLean, VA., Documents Index, proposed publication.

EP

This publication? was cited in Publication of Relevance in the last Information Bulletin (November 1979, Vol. 11, No. 1, p. 76).

In response to an order placed for this item, the following notice was received from the Publisher: "Thank you for your recent order for our proposed publication ..... Interest in this publication has been too limited to warrant publication at this time. We have decided to postpone publication. We are returning your order ..."

- Guide to U.S. Government Maps, Geologic and Hydrologic Maps. McLean, VA., Documents Index, 1979. Basic volume and supplement, 1978-1979. 2 v. \$70 a set (\$65 cash with order). Box 195, McLean, VA 22101

EP

This is the fourth edition, and indexes only USGS maps in the two categories that have been issued separately - not those in other USGS publications; e.g., Professional Papers or Bulletins. It is kept up to date, the basic volume, published in 1978, covered maps published 1879-December 1977, and the supplement covers maps published from January 1978 through June 1979. This is the best index available for U.S.G.S. geologic and hydrologic maps issued as separates. The Supplement is available at \$22.50 per copy.

- International Federation of Library Associations and Institutions. Joint Working Group on the International Standard Bibliographic Description for Cartographic Materials.

EP

Cartographic materials in UNIMARC / the proposals of a sub-group of the Joint Working Group on ISBD(CM). - London : IFLA International Office for UBC, 1979.

iv, 14 p. ; 30 cm. - (International Federation of Library Associations and Institutions. International Office for UBC. Occasional papers ; no. 5, ISSN 0309-9202)

1. MARC system - Format    2. Cataloging of maps    3. Cataloging of atlases  
I. Title    II. Series    025.3'4'60285442    Z699.4.M2

Published by: IFLA International Office for UBC  
c/o British Library, Reference Division  
Great Russell Street  
London WC1B 3DG  
United Kingdom                    £2.00 or \$US 5.00

- ISBD (CM) : International Standard Bibliographic Description for Cartographic Materials. London, IFLA International Office for UBC, 1977.

EP

x, 58 p. ; 30 cm.    ISBN 0-903043-16-5    \$US 12.00

Available from same address as above.

- Jackson, Richard H.  
*RM* Historical and genealogical atlas of the Eastern United States (east of the Mississippi River). Bountiful, Utah, Horizon Publishers, 1976.

23 x 18 cm. Scale of maps varies. \$9.95 P.O. Box 490, Bountiful, UT 84010

Arranged by State. Reprinted maps of each state from atlases by A. J. Johnson 1861, T. G. Bradford 1838, Carey & Lea 1823, A. Arrowsmith 1804. Reproduction quality good except for Arrowsmith maps.

- Landsat data users handbook / [prepared by the U.S. Geological Survey, EROS Data Center, and the NASA Goddard Space Flight Center]. -- [3d] rev. ed. -- [Sioux Falls, S.D.] : U.S. Geological Survey, 1979-

*AB*

1 v. : ill., maps ; 30 cm. Loose-leaf for updating.

- Library of Congress Shelflist. Ann Arbor, Michigan, University Microfilms International, 1979.

*EP*

The segments of the Library of Congress Shelflist are now available. The complete shelflist, schedules A through Z, costs \$2,695. However, the Geography segment, schedules G through GF, is only \$130.

This microfiche product is almost an unqualified success, from my point of view. The only complaint that I have is the size of type used on the microfiche headers. It is forcing me to get my glasses prescription changed; my present bifocals are adequate to render the headers clearly.

Nevertheless, for retrospective cataloging (anything cataloged prior to the 1979 cutoff date), both maps and atlases, the "hit rate" is quite high for my collection. It is especially useful for finding a few mysterious main entries. If one doesn't know what LC has chosen as the main entry, but you know the likely G class number, you can easily search the entire microfiche file for that portion of the G.

One must understand the following important point, this microfiche edition contains all MARC-Map cataloging since 1968 and all printed cards before that date. However, the LC Map Collection contains over 3,000,000 maps - this file contains probably 100,000 records. You won't find everything, but it's well worth the \$130. investment to get records that are unavailable in other LC catalogs.

Dept. B, University Microfilms International, 300 North Zeeb Road, Ann Arbor, Michigan 48106. Phone toll free: 800 521-0600

Their sales brochure offers a free sample fiche from the [your choice] section and a User's Guide for examination. The User's Guide is simply descriptive of the entire microfiche file, how they filmed it, and a breakdown on number of images, etc. (Its not essential.)

- Lister, Raymond  
Old maps and globes. London, Bell & Hyman Ltd., 1979.  
 EP 256 pages with 59 plates. £9.95 ISBN 0-7135-1146-X  
 This well known book, first published as How to Identify Old Maps and Globes, is a classic that should be in every library.
  
- Mapping land cover from satellite images : a basic, low cost approach.  
 C. Dale Elifrits ... ; prepared for George C. Marshall Space Flight  
 AB Center. Washington : National Aeronautics and Space Administration, 1978.  
 iv, 18 p. ; 27 cm. (NASA contractor report ; 2952) Prepared under contract NAS8-31767.  
 Bibliography: p. 18.
  
- Mathes, W. Michael  
 PH Baja California cartografica : catalogo de mapas, planos y diseños del siglo XIX que se encuentran en el Archivo Histórico de Baja California Sur "Pablo L. Martinez." / Elaborado bajo la supervisión del Dr. W. Michael Mathes por Cheryl Butterfield, Jeanette Ramacciotti y Karl Feichtmeir. -- La Paz : El Archivo, 1979.  
 69 pages. Paper. [no price given] Address: Archivo Histórico del Estado, Gobierno de Baja California Sur, La Paz, B.C.S., Mexico.
  
- National Planning Association  
 EP Basic Maps of the U.S. Economy 1967 - 1990. By the staff of the Center for Economic Projections, National Planning Association. Washington, D.C., 1980.  
 304 p. + two overlays to identify states and economic areas.  
 1606 New Hampshire Avenue, N.W., Washington, D.C. 20009 \$25.00
  
- First Heat Maps of Earth's Surface Available  
 LC Data from NASA's Heat Capacity Mapping Mission (HCMM), an Explorer applications satellite used to acquire thermal imagery of the earth's surface, are now available to the public. The data consist of black and white imagery (prints and transparencies with a scale of 1:4M and computer compatible tapes of the United States, Southern Canada, western Europe, and eastern Australia.  
 This information, a user's guide, and data catalogs are available to U.S. concerns by writing National Space Science Data Center, Code 601, NASA/Goddard Space Flight Center, Greenbelt, Maryland 20771. Non-U.S. researchers should write Director, World Data Center A for Rockets and Satellites, Code 601, NASA/Goddard Space Flight Center, Greenbelt, Maryland 20771, U.S.A.

- Northern Engineering Services Company  
*AB* Corridor wildlife map series / [Northern Engineering Services Company Limited, engineers for Alaskan Arctic Gas Pipeline Company]. -- [Calgary, Alta.] : Canadian Arctic Gas Pipeline Limited, [1974?]

31 leaves of plates : all col. maps ; 30 x 57 cm. 1:500,000  
 Each map accompanied by transparent overlay showing proposed pipeline route and facilities.

- Instituto Panamericano de Geografia E Historia  
*LC* Boletin

This is a bimonthly newsletter from the secretariat of IPGH which announces new publications and other items. It appears in February, April, June, August, October, and December. In Spanish & English.

General Secretariat of PAIGH, Ex-Arzobispado 29, Mexico 18, D.F. Mexico.

PAIGH has more than 300 publications, most of them have portions in English. Free catalogs are available at the address above.

- Phoenix Mapping  
*MB* Metropolitan Tucson street atlas. Phoenix, Phoenix Mapping, c1979.  
 28 cm. 1:40,000 \$3.75 1320 North 1st St., Phoenix, AZ 85004

- Population Abstract of the United States.

*EP* McLean, VA., Andriot Associates, mid-1980. Being published as a companion volume to the Township Atlas of the United States by same publisher. The contents include: State map and index showing location of all counties within the State; historical population figures for the State, each County, each City with a 1970 population of 10,000 or more; the 1970 population totals for all Minor Civil Divisions of the State.

900 p. +. Pre-pub price: \$65.

- Reichert, William H.  
*EP* Index to published geologic mapping in Washington, 1854-1970.

Washington Division of Geology and Earth Resources. Information Circular 68, 1979. 233 p.

- Robinson, William Wilcox  
*EP* Land in California: the story of Mission lands, Ranchos, squatters, mining claims, railroad grants, land script, homesteads. Berkeley, University of California Press, 1979.

illus., maps, biblio, index. 291 p. \$4.95

A reprint of the 1948 edition.

- Alaska Place Names. 2d edition. Juneau, University Library, University of Alaska, 1980.

*EP* The first edition was issued in 1974 by the University and went out-of-print immediately. This edition is edited by Alan Edward Schorr, Director of the Library. Approximately 800 new or revised names for the period 1966 to 1979. It is a supplement to Donald Orth's Dictionary of Alaska Place Names (U.S.G.S., 1967).

\$5 from Barbara Craver, University Library, University of Alaska, Box 1447, Juneau, AK 99802.
  
- Serial Publications in Geography (ISSN 0163-7711)

*EP* This is an annual publication of the Department of Geography of Virginia Polytechnic Institute and State University. It is a bibliographic guide to the geography serials collection of the Carol M. Newman Library. The collection is sufficiently broad that this work may be used as a general bibliographic guide to serials in geography, cartography, and area studies.

Issue # 5 (1979) combines some of the features of a serials bibliography and a union list of serials. The title, issuing agency, beginning date, frequency of publication and publisher, ISSN, with annotations describing contents, and list of holdings are given for 381 serials, 45 of which are in cartography, history of cartography, or cartobibliography.

The 1979 edition (122 p.) is available for \$3.00 from: Department of Geography, Virginia Polytechnic Institute and State University, Blacksburg, VA 24061
  
- Thomas Bros. Maps

*MB* Phoenix and vicinity popular street atlas. Los Angeles, Thomas Bros., 1979.

21 x 25 cm. \$7.00 Thomas Bros. Maps, 17731 Cowan, Irvine, CA 92714  
Phone: (714) 540-MAPS
  
- Walker, Henry Pickering and Don Bufkin.

*EP* Historical atlas of Arizona. Norman, Oklahoma, University of Oklahoma Press, 1979.

*MB* 31 x 24 cm. 76 p. illus., biblio., index LC # 78-58086 \$14.95 cloth, \$6.95 paper. 1005 Asp Avenue, Norman, OK 73019

Maps are black & white, accompanied by text.
  
- Winroth, Elizabeth (compiler).

*EP* Union guide to photograph collections in the Pacific Northwest. 1978.

419 p. \$15. Oregon Historical Society, 1230 S.W. Park, Portland, OR

Ms. Winroth is the institutional representative of the OHS to WAML.

FORTHCOMING MEETINGSOCLC

The OCLC/Western Service Center will sponsor a workshop on entering map records onto the OCLC data base, including cataloging and tagging, if there are a sufficient number of interested persons.

Attendance will be limited to representatives of OCLC/Western Service Center libraries.

Those interested should contact Myrna Fleming, a WAML member who is helping organize the workshop, at:

Doheny Library      phone (213) 741-6665  
 Catalog Dept.  
 University of Southern California  
 University Park  
 Los Angeles, CA 90007

Please include your suggestions for specific topics or problems you would like to have discussed. Also, please indicate your preference for PLACE, DATE(S), 1-day or 2-day, and CONTENT.

An additional announcement will appear in the OCLC Western Round-up.

If there is enough interest a map users group/OCLC Western, might be formed.

OCLC Map Users Group

An OCLC Map Format Review and Tagging Practicum Workshop will be held on Thursday, March 6 and Friday March 7, 1980, at the OCLC Inc. headquarters, 1125 Kinnear Road, Columbus, Ohio 43212.

Program      Thursday, March 6th

8:30 Registration/Coffee/Donuts; 9:00 Introduction and Welcome: Mr. Kilgour; 9:15 OCLC: An Overview; 10:15 OCLC Technical Facilities Review and Discussion; 11:00 Tour of OCLC Kinnear Road facilities; 1:00 Maps and OCLC: cataloging/serials control/ILL/ acquisitions/ error reports/duplicate records/local subject headings - Network Coordinators: You and your networks.

2:45 AACR II - Implications for Cartographic Materials; 4:00 OCLC and AACR II - Dr. Carolyn Frost, University of Michigan School of Library Science; 7:00 - 9:00 Terminal Practice time (optional)

Program      Friday, March 7th

8:15 Coffee; 8:30 Map Tagging Practicum (Participants are urged to bring their favorite tagging problems). We will break the group into five smaller groups each working for about fifteen minutes on each of the following cataloging/tagging problems: FORM/RELIEF/BASE/COORDINATES/MAP CLASS. CODE/SCALE/COLLATION. Each group should have a chance to discuss the proper cataloging and tagging answer followed by an open discussion by all participants.

10:30 Break; 10:45 Discussion of Map Tagging Practicum; 11:30 Sharing Session and discussion of the future of the OCLC Map Users Group

Registration for the Map Format Review & Tagging Practicum Workshop may be made by sending a check for \$12.00, payable to OCLC MAP USERS GROUP, and mail to:

James O. Minton (phone: 313/ 764-0407)  
 Map Room 825 Hatcher Library  
 The University of Michigan  
 Ann Arbor, MI 48109

In order to make this a valuable and practical workshop the number of participants is limited to 35.

OCLC Staff will be available for tutored practice using the terminals on Thursday evening from 7:00 to 9:00 p.m. If you are interested in any of the following, please indicated at the time of registration: Map Cataloging, Serials Control, ILL.

The \$12 fee includes coffee, refreshments at breaks and a deli-style lunch on Thursday, March 6th.

NEWSLETTER No. 2, OCLC Map Users Group, Laura Macqueen, editor, was issued in February 1980. A membership list, dated December 1979, is included on pp. 3-5, reveals about 120 persons throughout the United States. A map, compiled by James O. Minton, shows the DISTRIBUTION OF MEMBERS OF THE OCLC MAP USERS GROUP AS OF DECEMBER 1979.

The Editor, Laura Macqueen, may be reached at the Cataloging Section, U.S. Geological Survey Library, National Center - Mail Stop 950, Reston, VA 22092

#### Association of Canadian Map Libraries

The 14th Annual Meeting of the Association of Canadian Map Libraries will be held in Edmonton on June 25-27, 1980. Host for the meeting will be Ronald Whistance-Smith, Map Librarian, University Map Collection, University of Alberta, Edmonton, Alberta T6G 2H4. A program appears in ACML Bulletin, No. 33/Dec. 1979.

The Annual Meeting will be preceded by a Cataloging Workshop on June 23-24. To be conducted by Dr. Hugo Stibbe of the National Map Collection, Ottawa, the subjects to be covered will be AACR II, ISBD(CM), and possibly PRECIS. The sponsor would like to know your preferences for the workshop; i.e., what areas should receive the greatest attention. Information about the Workshop may be obtained from Dr. Hugo L. P. Stibbe, National Map Collection, Public Archives of Canada, 395 Wellington Street, Ottawa, Ontario K1A 0N3.

#### The Newberry Library - Summer Institute in Cartography

Applications are invited from faculty in the humanities and social sciences and college and university map librarians for enrollment in the Newberry Library's Summer Institute in Cartography, to be held 14 July - 1 August 1980 in Chicago.



The Institute is designed to provide an intensive three-week exposure to the principles, history, use, and creation of maps in teaching, research, and librarianship.

Thirty participants will be selected: 20 faculty who wish to develop their skills as map users and map makers in their profession; and 10 map librarians desiring further training in cartography, the history of cartography, and map librarianship.

Four 15-hour courses will be offered: (1) the history and principles of cartography, (2) the use and evaluation of maps in historical research, (3) historical map and atlas making, and (4) antiquarian map librarianship. Participants will take courses 1, 2, and either 3 or 4.

Successful applicants will receive stipends of \$1,000, as well as a grant of up to \$150 towards travel costs. Participants' institutions are required to pledge a \$150 registration fee.

The Faculty of the Institute include: David Woodward, Michael P. Conzen, John H. Long, Adele M. Hast, and Robert W. Karrow, Jr. The Visiting Faculty will include Gerald A. Danzer, Louis DeVorse, Allen N. Fitchen, Barbara B. Petchenik, Cameron Poulter, John W. Reys, Arthur H. Robinson, Thomas J. Schlereth, and John A. Wolter.

Completed applications are due on March 15, 1980; applicants will be informed of the selection committee's decision shortly after April 1, 1980.

For additional information and application forms, write or call:

Summer Institute in Cartography  
The Newberry Library  
60 West Walton Street (312) 943-9090, Ext. 214.  
Chicago, IL 60610

#### S.U.C. SUMMER SCHOOL - 1980

The 1980 Summer School of the British organization, the Society of University Cartographers, will be held in the Institute of Economic Geography at Erasmus University, Rotterdam, The Netherlands.

The Summer School will be held from Monday 25th to Friday 29th of August 1980.

One of the sessions in the program will be devoted to innovative technical materials and working methods in cartographic offices and will include papers on the silkscreen process, photolysis, daylight reprographic films, and the airbrush. Practical sessions and a panel discussion on the applications of such techniques in university cartographic departments will follow the lecture session.

A further group of papers will cover modern developments in Dutch cartography and will be concerned with work being carried out in various institutions and government agencies.

Delegates will also have the opportunity to visit various establishments in the Netherlands, the options including the Cartographic Department at the International Institute for Aerial Survey and Earth Sciences (I.T.C.) in Enschede, the European Space Technology Center at Noordwijk, and the Cartographic Department of the Rotterdam Municipality.

The Summer School is intended primarily for cartographers, reprographers, and map curators in university departments, but will also be of interest to anyone preparing or using cartographic materials, regardless of their type of employment.

The city of Rotterdam provides a dynamic background to what is hoped will be an instructive and rewarding Summer School.

Further information may be obtained by writing to: C. J. Moore, Map Curator/Chief Cartographer, Economisch Geografisch Instituut, Erasmus Universiteit, Postbus 1738, 3000 DR Rotterdam, The Netherlands.

#### SOUTHEASTERN UNITED STATES WORKSHOP

The Fourth Workshop on Map Libraries in the Southeast U.S. will be held on Sunday, November 23, 1980, in Blacksburg, Virginia.

This meeting will be a pre-convention workshop, held in conjunction with the 35th Annual Meeting of the Southeastern Division of the Association of American Geographers. Papers dealing with any aspect of mapping or map librarianship are invited. Special consideration will be given to topics pertaining to the Southeastern U.S.

Deadline for receipt of proposed papers is August 31, 1980. Please submit a 200-word abstract to: Donald Daidone, Social Science Division, Newman Library, Virginia Tech, Blacksburg, VA 24061. Telephone (703) 961-6181.

#### MAP SOCIETY OF CALIFORNIA

At press-time there is no announcement of the next meeting of this Society, however, forthcoming meetings will be announced as they become available.

The Society met, as reported in the November 1979 Information Bulletin, at California State University, Fullerton, on Saturday, November 3.

The first northern California meeting of the Society (apart from the two organizational meetings reported earlier) was held on Saturday, January 5, 1980, at the U.S. Geological Survey's Western Mapping Center in Menlo Park.

The meeting included talks by James M. Morley of USGS on "Some conventions, standards and changes of historic topographic maps; and comments on the Centennial Printing of the 1899 Palo Alto Quadrangle map"; Mr. Tao Rho Alpha, USGS, spoke on his orthographic cartography: "Examples of marine cartography by the U.S. Geological Survey"; Lee Aggers spoke about NCIC; Ray Fox of USGS spoke on: "Thematic mapping developments of USGS; Land Information Analysis Maps, and the National Atlas"; and Bill Johnson, USGS, on "Orthophoto map products."

## ATLASES CATALOGED AT UCLA

by

Anna F. Blustein  
Associate Librarian (Cataloger)  
University Research Library  
University of California, Los Angeles

[EDITOR'S NOTE: *We regret to report that this contribution will be the last submitted by Ms. Blustein. Anna retired from work at UCLA on Dec. 28, 1979. For six years, beginning with the March 1974 (Vol. 5, #2) issue, Anna has faithfully provided us with these citations. I know from the comments of our readers that her efforts were appreciated, and our collections richer because of these citations. We wish Anna a long and happy retirement, and, again, our thanks!*

*We are fortunate, nevertheless, that David Deckelbaum of the UCLA Map Library has agreed to compile these citations on a continuing basis. The selection policy will continue, until further notice, to be the same as that used by Ms. Blustein (announced last in the November 1978, Vol. 10, No. 1 issue). Thank you, David!]*

G The Times atlas of world history / edited by Geoffrey Barraclough.  
1030 [Rev. ed.] London : Times Books, 1979.  
T482  
1979 360 p. : col. ill., col. maps ; 37 cm.  
"Reprinted with revisions 1979."  
Includes index.  
Bibliography: p.296.

1. Geography, Historical--Maps. I. Barraclough, Geoffrey, 1908-  
II. The Times, London.

G Branigan, Keith.  
1046 Atlas of ancient civilizations / Keith Branigan. New York :  
E6B734 J. Day Co., 1976.  
1976 128 p. : col. ill., col. maps ; 31 cm. LC No. 75-22115  
Includes index.  
Illustrations by Gerry Embleton. Maps by Geographical Projects London.

1. Civilization, Ancient--Maps. 2. Civilization, Ancient. I. Title.

G National Geographic Society, Washington, D.C. Book Service.  
1200 National Geographic picture atlas of our fifty States / prepared by  
N213ng National Geographic Book Service ; Margaret Sedeen, editor ; contri-  
1978 butions by Bettie Donley, Diane S. Marton, Maureen Palmedo. -- 1st  
ed. -- Washington : National Geographic Society, c1978.  
304 p. : col. ill., col. maps (1 fold. col. in pocket) LC NO. 78-10385

G  
1201  
P1T225  
1976

Tech-Drafting & Photo, Inc.

National transportation, trends and choices : appendix, U.S. transportation atlas / [prepared by Tech-Drafting & Photo, Inc.]. -- Washington : Dept. of Transportation : for sale by the Supt. of Docs., U.S. Govt. Print. Off., 1976.

[30] leaves of plates : all col. maps ; 49 x 72 cm. Cover title.

1. United States--Maps. 2. Transportation--United States--Maps. I. United States. Dept. of Transportation. II. Title III. Title: United States transportation atlas.

G  
1364  
S56D64  
1977

Dlin, Norman.

Social atlas of Shreveport, Louisiana / Norman Dlin & Kenneth Hinze. -- Shreveport, La. : Dept. of Social Sciences, LSU -Shreveport, 1977.

iii leaves, 16 leaves of plates : 16 maps ; 44 x 28 cm. Cover title.

"Data were taken from the 1970 Census of Population (Census Tracts, PHC(1)-197, U.S.G.P.O., Washington, D.C.)."

Correction sheet for map on leaf 13 tipped in.

1. Shreveport, La.--Social conditions--Maps. 2. Shreveport, La.--Economic conditions--Maps. I. Hinze, Kenneth E. II. Louisiana State University in Shreveport. Dept. of Social Sciences. III. Title.

G  
1486  
C28W27  
1977

Washington (State). Dept. of Ecology.

Coastal zone atlas of Washington / [general editor, Carl Youngmann]. -- [Olympia] : Washington State Dept. of Ecology, 1977.

v. : chiefly col. maps ; 63 x 49 cm.

LIBRARY HAS: v. 5-6.

Maps by the University of Washington Cartographic Laboratory. Includes bibliographies.

CONTENTS: v. 5. Snohomish County.--v. 6. King County.

1. Coasts - Washington (State) - Maps. 2. Washington (State) - Maps, Physical. I. Youngmann, Carl. II. Washington (State) University. Cartographic Laboratory. III. Title.

G  
1526  
G46C12  
1971

California. Dept. of Navigation and Ocean Development.

Comprehensive ocean area plan : general inventory, land ownership / California Resources Agency, Dept. of Navigation and Ocean Development. [Sacramento] : The Dept., 1971.

127 leaves of plates : all maps ; 49 x 62 cm.

Title from maps. Cover title: Ownership : coastal zone, general inventory. Running title: Land ownership inventory.

1. Land use--California--Maps. 2. Coasts--California--Maps. I. Title II. Title: Land ownership inventory. III. Title: Ownership : coastal zone, general inventory.

G  
1527  
S23L44  
1914

Lawson, Andrew Cowper, 1861-1952.

Geologic atlas of the United States : San Francisco folio : Tamalpais, San Francisco, Concord, San Mateo, and Haywards quadrangles, California / by Andrew C. Lawson. -- Washington : U.S. Geological Survey, 1914.

24 p., 17 leaves of plates : ill., 15 col. maps ; 56 x 47 cm.  
-- (United States. Geological survey. Geologic atlas of the United States ; No. 193 )

Cover title. Bibliography: p. 24.

1. Geology--California--San Francisco Bay region--Maps.  
I. Title II. Title: San Francisco folio. III. Series

G  
1530  
H255e  
1978

Hartman, Charles W

Environmental atlas of Alaska / Charles W. Hartman, Philip R. Johnson. --2d ed. -- Fairbanks, Alaska : Institute of Water Resources, University of Alaska, 1978.

viii, 95 p. : ill. (some col.), maps (chiefly col.) ;  
26 x 31 cm. Author's names in reverse order in 1st ed.  
Bibliography : p. 94-95.

1. Alaska--Maps. 2. Alaska--Climate--Maps. I. Johnson, Philip R. II. Title.

G  
1531  
F2A322  
1898

Alaskan-Canadian Boundary Commission.

Photographs of topographic surveys of the United States Commission to accompany the joint report dated Dec. 31st, 1895.  
-- [Washington : Govt. Print. Off., 1898?].

1 portfolio (10 leaves of plates : 16 maps ) ; 41 x 57 cm.  
Maps by the U.S. Coast and Geodetic Survey.  
Joint report published by U.S.G.P.O., Washington, 1898.

1. Alaska--Maps. 2. Alaska--Boundaries--Canada. 3. Canada--Boundaries--Alaska. I. United States. Coast and Geodetic Survey. II. Alaska-Canadian Boundary Commission. Joint report of the United State and British commissioners on the Alaskan-Canadian boundary. III. Title.

G  
1531  
F2G79ba  
1903

Great Britain.

British case : Alaska boundary : atlas of maps : appendix,  
vol II. [London : McCorquodale, 1903]

39 leaves of plates : 37 maps (some fold., some col.) ; 78 cm.  
Cover title.

Maps cover years 1798-1895. Issued as appendix to: Great Britain Boundary between the Dominion of Canada and the territory of Alaska. London, 1903.

1. Alaska--Maps. 2. Alaska--Boundaries--Canada. 3. Canada--Boundaries--Alaska. I. Great Britain. Boundary between the Dominion of Canada and the territory of Alaska. II. Title.

G  
1586  
E55P19  
1975

Panama. Oficina de Estudios de Población.  
Atlas de salud de Panamá, 1975 / República de Panamá, Ministerio de Salud, Oficina de Estudios de Población. -- [2. rev. ed.]. -- [Panama] : La Oficina, 1975.

[106] p. : col. maps ; 42 x 56 cm.

Scale of most maps 1:1,250,000. First ed., by Asesoría en Geografía y Ecología of Panama, published in 1970 under title: Atlas de geografía médica.

LC No. 77-465532

1. Public health--Panama. 2. Health surveys--Panama--Maps. 3. Panama--Population--Statistics--Maps. I. Panama. Asesoría en Geografía y Ecología. Atlas de geografía médica. II. Title.

G  
1915  
A881  
1976

Atlas Deutsche Demokratische Republik / [Hrsg. von der Akademie der Wissenschaften der Deutschen Demokratischen Republik, durch die Kommission zur Herausgabe des Atlas DDR, in Zusammenarbeit mit dem VEB Hermann Haack, Geographisch-Kartographische Anstalt Gotha/Leipzig ; Baupredaktion und Kartengestaltung, Leiter, Ernst Benedict]. 1. Aufl. Gotha/Leipzig : VEB Hermann Haack, 1976-

LC No. 78-381451

v. : col. maps ; 57 cm. Legends in English, French, German, Russian, and Spanish. Issued in parts. Issued in portfolio.

1. Germany, East--Maps. I. Benedict, Ernst. II. Kommission zur Herausgabe des Atlas DDR. III. Akademie der Wissenschaften der DDR. IV. Haack (Hermann) Geographisch-Kartographische Anstalt Gotha, VEB.

G  
1923  
N6R34  
1972

Rheinischer Städteatlas / Herausgeber Edith Ennen ; Bearbeiter Klaus Flink in Verbindung mit Martin Müller (Kartographie). Bonn : L. Röhrscheid Verlag, 1972-

portfolios : ill., maps (some col.) ; 40 cm. (Veröffentlichung - Institut für Geschichtliche Landeskunde der Rheinlande der Universität Bonn)

LIBRARY HAS: Portfolios 1-25

Cover title.

LC No. 76-488198

Issued in parts.

Nos. 13-20 edited by George Droege ; Nos. 21 - ed. by Landschaftsverband Rheinland. Amt für rheinische Landeskunde, Bonn.

Includes bibliographical references.

1. Cities and towns--North Rhine-Westphalia--Maps. 2. Cities and towns--North Rhine-Westphalia--History. 3. North Rhine-Westphalia--Maps. 4. North Rhine-Westphalia--History. I. Droege, Georg. II. Ennen, Edith, 1907- III. Flink, Klaus. IV. Müller, Martin. V. Series: Bonn. Universität. Institut für Geschichtliche Landeskunde der Rheinlande. Veröffentlichung.

- G  
1923  
S2S112  
1976
- Saarland. Oberste Landesplanungsbehörde.  
Saarland / Herausgeber des Bandes Saarland, der Minister für Umwelt, Raumordnung und Bauwesen des Saarlandes, Oberste Landesplanungsbehörde, in Verbindung mit der Akademie für Raumforschung und Landesplanung. -- Hanover : E. Schroedel, 1976.  
[25] p., 86 leaves of plates : 86 col. maps ; 43 x 60 cm. --  
(Deutscher Planungsatlas - Akademie für Raumforschung und Landesplanung, Hanover ; Bd. 10)
- Atlas consists of Lieferungen 1 and 2. Lieferung 1, "Planungsatlas Saarland," by the Minister für Öffentliche Arbeiten und Wohnungsbau, Abt. IV, Landesplanung, and the Akademie für Raumforschung und Landesplanung, was published in 1965 by Gebr. Jänecke, Hannover.
1. Saar Valley - Maps. 2. Saar Valley - Economic conditions - Maps. I. Saarland. Landesplanung. Planungsatlas Saarland. II. Akademie für Raumforschung und Landesplanung, Hanover. III. Akademie für Raumforschung und Landesplanung, Hanover. Planungsatlas Saarland. IV. Title. V. Series: Akademie für Raumforschung und Landesplanung, Hanover. Deutscher Planungsatlas ; Bd. 10.
- G  
1950  
P195po  
1977
- Państwowe Przedsiębiorstwo Wydawnictw Kartograficznych, Warsaw.  
Polska, kontynenty, świat : atlas geograficzny dla klas VI-VIII / opracowanie Państwowe Przedsiębiorstwo Wydawnictw Kartograficznych ; redaktorzy atlasu, Henryk Górski, Barbara Filochowska. Warszawa : PPWK, 1977.  
60, 23 p. : chiefly col. maps. ; 32 cm. Cover title.  
1. Poland--Maps. 2. Atlases, Polish. I. Górski, Henryk. II. Filochowska, Barbara. III. Title.
- G  
2249.31  
E44B51  
1977
- Bindaqjī, Ḥusayn Ḥamzah  
Atlas al-ḥajj ilā Bayt Allāh : Makkah al-Mukarramah--Madīnah al-Munawwarah / i' dād Ḥusayn Ḥamzah Bindaqjī. -- al-Tab ah 1. -- [Cairo] : Maktabat al-Anglū al-Miṣriyah, 1397 H. / 1977 M.  
[52] p. : maps ; 35 x 5? cm. Added cover title: Atlas of Hajj to the Holyland, Mecca-Medina.  
1. Muslim pilgrims and pilgrimages--Saudi Arabia--Mecca--Maps. 2. Muslim pilgrims and pilgrimages--Saudi Arabia--Medina--Maps. I. Title II. Title: Atlas of Hajj to the Holyland, Mecca-Medina. III. Title: Hajj to the Holyland, Mecca-Medina. IV. Title: al-Ḥajj ilā Bayt Allāh.
- G  
2446  
S1F13  
1978
- Fage, John Donnelly  
An atlas of African history / devised by J. D. Fage ; maps drawn by Maureen Verity. 2d ed. London : E. Arnold, 1978.  
[84] p. : 71 maps (some col) ; 29 cm. Includes index.  
1. Africa--Historical geography--Maps. I. Title

- G  
2592  
C76B87  
1971
- Bultot, Franz, 1924-  
Atlas climatique du bassin congolais / par Franz Bultot. --  
[ Bruxelles ] : I.N.E.A.C., 1971-1977.  
4 v. : ill., maps (some col.) 33 cm. -- (Publications de  
l'Institut national pour l'étude agronomique du Congo. Hors  
serie) Includes bibliographies. LC No. 72-650027  
CONTENTS.--1. ptie. Les composantes du bilan de rayonnement.  
--2. ptie. Les composantes du bilan d'eau. --3. ptie. Tempéra-  
ture et humidité de l'air, rosée, température du sol. --4. ptie.  
Pression atmosphérique, vent en surface et en altitude, tempéra-  
ture et humidité de l'air en altitude ...  
At head of title, ptie 1-3: République démocratique du Congo.  
Title of ptie 4: Atlas climatique d- bassin Zaïrois.  
1. Congo River watershed--Climate--Maps. I. Title II. Title:  
Atlas climatique du bassin zaïrois. III. Series: Institut nation-  
al pour l'étude agronomique du Congo. Publications. Hors série.
- G  
2754  
S98K29  
1977
- Kelly, Max.  
Sydney takes shape : a collection of contemporary maps from  
foundation to federation / by Max Kelly and Ruth Crocker. --  
Sydney : Macleay Museum, University of Sydney, 1977.  
[7], 49 p. : ill., maps ; 43 x 34 cm. facsimiles.  
1. Sydney--Historical geography--Maps. 2. Sydney--History.  
I. Crocker, Ruth, joint author. II. Title
- G  
2806  
C82H27  
1978
- Hastenrath, Stefan, 1934-  
Heat budget atlas of the tropical Atlantic and eastern Pacific  
Oceans / Stefan Hastenrath, Peter J. Lamb. Madison : University  
of Wisconsin Press, 1978  
xiii, 9? p. : chiefly ill. ; 23 x 47 cm.  
"A sequel to the Climatic atlas of the tropical Atlantic and  
eastern Pacific Oceans."  
Bibliography : p. x-xi. LC No. 77-91052  
1. Heat budget (Geophysics)--Atlantic Ocean--Charts, diagrams,  
etc. 2. Heat budget (Geophysics)--Pacific Ocean--Charts, diagrams,  
etc. I. Lamb, Peter J., joint author. II. Hastenrath, Stefan,  
1934- Climatic atlas of the tropical Atlantic and eastern  
Pacific Oceans. III. Title



## NEW MAPPING OF WESTERN NORTH AMERICA

- Contributions by: *MB = Mary Blakeley, University of Arizona, Tucson*
- JC = Jim Coombs, Geology Library, University of Illinois, Urbana-Champaign*
- BC = Barbara Cox, University of Utah, Salt Lake City*
- LC = Larry Cruse, University of California, San Diego*
- EP = The Editor, from Publisher's blurbs & items in hand*
- PI = Peter Ives, University of New Mexico, Albuquerque*
- RM = Riley Moffat, Brigham Young University, Provo, Utah*
- LP = Leslie Pass, Boise State University, Boise, Idaho*
- PS = Peter Stark, Central Washington State Univ., Ellensburg*
- WS = Ronald Whistance-Smith, University of Alberta, Edmonton*

THE WEST

- ¶ Hyndman, Donald W. and Ronald B. Chase  
*JC* Major tectonic elements and tectonic problems along the line of section from northeastern Oregon to west-central Montana. Boulder, Colorado, Geological Society of America, 1979. 1:250,000 103 x 136 cm. Map and Chart Series, MC-28C. *not free* 3300 Penrose Place, Boulder, CO 80301
- ¶ Preston, Richard E.  
*RM* Central places in the Pacific Northwest in the early 1960s. Waterloo, Ontario, Canada, Department of Geography, University of Waterloo, 1977. scale varies; 5 maps on sheet 59 x 89 cm.
- ¶ U.S. Intermountain Forest and Range Experiment Station.  
*RM* Revegetation potential of surface-mineable coal lands in the interior West. Washington, D.C., Super. Doc., Govt. Print. Off., 1979. 1:1,000,000 2 col. maps 98 x 104 cm. or smaller. SuDoc # A13.65/16:R32
- Colored by natural vegetation types, annual precipitation, overprinted in blue, soil associations in red, coal areas in purple, growing season in green. Covers 34°45' to 49°N and 100° to 113°W.

ALASKA

- ¶ U.S. Bureau of Land Management. Alaska Outer Continental Shelf Office.  
 Western Gulf of Alaska (Kodiak) #46 Graphics.  
 RM Washington, D.C., Super. Doc., Govt. Print. Off., 1979.  
 1:750,000 and 1:1,360,000 9 sheets 86 x 86 cm.  
 SuDoc #I53.11:A&I/s/7  
 GPO depository or for purchase.  
 Each sheet is described on verso.

ALBERTA

- ¶ Alberta Energy & Natural Resources  
 Alberta, Provincial base map.  
 WS Edmonton, Alberta Energy & Natural Resources, 1979.  
 1:1,000,000 138 x 82 cm.  
 (for Also available with NTS overprint, or forest management unit,  
 all forest protection areas, forest ranger districts, forest classifi-  
 Alberta cation overprints. One other overprint is "Oil & Gas exploration  
 cit.) and development restricted areas"  
 Base map = \$2.50; overprints = \$3.00  
 Map Sales Desk, Alberta Map & Air Photo Distribution Centre,  
 Alberta Energy and Natural Resources, 2nd Floor West, North Tower,  
 Petroleum Plaza, 9945 108th St., Edmonton, Alberta T5K 2G6  
 (403) 427-3520
- ¶ Alberta Energy & Natural Resources  
 Alberta settlement areas map.  
 Edmonton, Alberta Energy & Natural Resources, 1979.  
 1:1,600,000 87 x 54 cm.  
 \$1.25 (same address as above entry)  
 Shows areas where homestead lands are still available.
- ¶ Alberta Forest Service  
 Foothills Region, recreation areas.  
 Edmonton, Alberta Energy & Natural Resources, 1978.  
 1:1,250,000 77 x 46 cm.  
 Free (same address as above entry)
- ¶ Alberta Transportation  
 Alberta relief.  
 Edmonton, Alberta Transportation, 1978.  
 1:1,000,000 132 x 81 cm.  
 \$1.50 Alberta Transportation, Mapping Office, Surveys Branch,  
 Highways Bldg., 106 St. & 97 ave., Edmonton, Alberta T5K 2B8  
 (403) 427-6467
- ¶ Alberta Transportation  
 Alberta, transportation.  
 Edmonton, Alberta Transportation, 1979.  
 1:750,000 2 sheets, each 95 x 108 cm. Sheets are North & South.  
 \$2.00 ea. sh. All orders + \$1. charges. Special mountings \$12.00.  
 Also available with overprints of: municipalities; secondary roads  
 progress chart; Provincial Electoral Divisions; Judicial Districts.  
 (The overprints may be dated earlier than 1979.) May be purchased  
 mounted on linen, printed on polyester, wood rods top & bottom 106 x  
 175 cm.

ALBERTA (continued)

- † Alberta Transportation  
Edmonton area (including the City of St. Albert).  
Edmonton, Alberta Transportation, 1979.  
1:25,000 137 x 157 cm. in 2 sheets.  
\$1.50 (same address as above entry)
- † Energy Resources Conservation Board  
Alberta, Canada, electric system, January 1978.  
Calgary, Energy Resources Conservation Board, 1978.  
1:1,000,000 134 x 84 cm.  
Not free. Energy Resources Conservation Board, 603 6th Ave., S.W.,  
Calgary, Alberta T2P 0T4  
They also publish maps of "Designate Oil Fields", "Designated Gas  
Fields", "Designated Coal Fields", "Oilsands area maps", and  
many others.

ARIZONA

- † Arizona Oil and Gas Conservation Commission  
Structure map southeastern Arizona.  
MB Phoenix, Arizona Oil and Gas Conservation Commission, May 1979.  
1:375,000 61 x 75 cm.  
Not free. Arizona Oil and Gas Conservation Commission, 1645 West  
Jefferson Street, Suite 420, Phoenix, Arizona 85007.
- † Arizona Oil and Gas Conservation Commission  
Wells drilled for oil, natural gas, helium and geothermal resources,  
MB and selected wells drilled for stratigraphic or mineral information.  
Phoenix, Arizona Oil and Gas Conservation Commission, 1978.  
1:700,000 112 x 86 cm.  
\$8.00 (same address as above)
- † U.S. Bureau of Land Management  
Surface Management/Surface Minerals Management series:  
EP Nogales, 1979; Trigo Mountains, 1979.  
1:100,000 107 x 76 cm.  
\$2.00 ea. US BLM, Arizona State Office, 2400 Valley Bank Center,  
Phoenix, AZ 85073 (and at District Offices); or, USGS, Box 25286,  
Denver Federal Center, Denver, CO 80225
- † U.S. Geological Survey  
Portion of Grand Canyon, Arizona.  
LC Reston, U.S.G.S., 1979.  
1:250,000 58 x 93 cm. colored, planimetric.  
No price given. Publications Division, National Center 341,  
Reston, VA 22092  
"This is an experimental screenless lithograph of Landsat imagery  
which was printed to match the colors of a continuous tone type C  
print. Date of imagery - May 1975." Some features named. Approx.  
coordinates: NE 111°W, 36°20'N; SE 111°20'W, 35°N; SW 114°W,  
35°30'N; NW 113°45'W, 37°N. Limited printing of 500 copies.

CALIFORNIA

- ¶ Bateman, Paul C  
 Map and cross section of the Sierra Nevada from Madera to the  
 White Mountains, central California.  
 JC Boulder, Colorado, Geological Society of America, 1979.  
 1:250,000 2 maps ; 99 x 87 cm. & 111 x 84 cm.  
 Not free. Map and Chart series MC-28E. Geological Society of  
 America, Inc., 3300 Penrose Place, Boulder, CO 80301
- ¶ Irwin, William Porter and Michael D. Dennis  
 Geologic structure section across southern Klamath Mountains,  
 Coast Ranges, and seaward to Point Delgada, California. 1979.  
 JC 1:250,000 81 x 141 cm.  
 Not free. Map and Chart series MC-28D. Geological Society of  
 America, Inc., 3300 Penrose Place, Boulder, CO 80301
- ¶ U.S. Bureau of Land Management  
 Surface Management/Surface Minerals Management series:  
 EP Owlshhead Mountains, 1979.  
 1:100,000 107 x 76 cm.  
 \$2.00 ea. US BLM, California State Office, Federal Office Bldg.,  
 Room E-2841, 2800 Cottage Way, Sacramento, CA 95825

COLORADO

- ¶ Colorado Geological Survey  
 State lands status map.  
 JC Denver, Colorado Geological Survey, 1979.  
 1:500,000 95 x 128 cm. Map Series. Map no. 13  
 \$3.00

IDAHO

- ¶ Hunt Enterprises 306 Warm Springs, Boise, Idaho 83702  
 Street map of Boise, Idaho. 1979.  
 LP 35 x 23 in.  
 \$1.50 Includes Boise, downtown Boise, Boise State University,  
 Bogus Basin, Caldwell, Eagle, Kuna, Middleton, Nampa, and Garden  
 City.
- ¶ Hunt Enterprises  
 Street map of Meridian, Idaho. 1979.  
 LP 1:31,680. 25 x 19 in.  
 \$1.00 (address given above)
- ¶ Idaho Bureau of Mines and Geology.  
 Geologic map series- 1979-  
 JC 1:250,000 24 maps ; 47 x 69 cm. each  
 Not free. Idaho Bureau of Mines and Geology, Moscow, ID 83843  
 This series consists of preliminary geologic compilations from  
 the best sources available, and should prove useful until finished  
 geologic maps are published.

IDAHO (continued)

- ¶ Gaston, Mary P. and Bill Bonnichsen  
Gold occurrences in Idaho, 1978.  
JC Moscow, Idaho, Idaho Bureau of Mines and Geology, 1978.  
1:1,000,000 89 x 61 cm.  
Not free. Idaho Bureau of Mines and Geology, Moscow, ID 83843  
Summary maps of mineral commodities and other geologic and  
mineralogic features in Idaho. Map 1.
- ¶ Idaho Bureau of Mines and Geology  
Summary maps of mineral commodities and other geologic and  
JC mineralogic features in Idaho.  
Moscow, Idaho, Idaho Bureau of Mines and Geology, 1979.  
1:1,000,000 89 x 61 cm. each  
Not free. Maps include map symbol explanation and sources of  
information.
- ¶ Idaho Department of Aeronautics 3483 Rickenbacher St., Boise, ID 83705  
Idaho aeronautical chart. 1979.  
LP Boise, Idaho Department of Aeronautics, 1979.  
1:1,000,000 21 x 33 in.  
\$1.50
- ¶ Maps, Inc. (a Division of Jensen-Graves) 210 N. 8th St., Boise, ID 83702  
Boise Poster Map.  
LP Boise, Maps, Inc., 1979.  
pictorial 24 x 16 in.  
\$1.50  
A cleverly done pictorial map of Boise. Cartography by Michael  
McCoy and sketches by Grady Meyers.
- ¶ Maps, Inc.  
Boise to Sun Valley regional recreational map.  
LP Boise, Maps, Inc., 1979.  
1:380,160 31 x 19 in.  
\$1.50 (Weekender Maps) (address as above)
- ¶ Maps, Inc.  
Idaho Poster Map.  
LP Boise, Maps, Inc., 1978.  
1:1,000,000 22 x 32 in. Cartography by Michael McCoy.  
\$3.95 (address as above)
- ¶ Maps, Inc.  
McCall, Idaho street map and regional guide.  
LP Boise, Maps, Inc., 1978.  
24 x 19 in. (Weekender Maps)  
(address as above)
- ¶ U.S. Bureau of Land Management 550 West Fort St., Boise, ID 83702  
Idaho Initial Wilderness Inventory.  
LP Boise, BLM, Idaho State Office, 1978.  
1:1,000,000 22 x 33 in.  
Land status map w/overlay of wilderness areas, proposed and actual.

IDAHO (Continued)

- ¶ U.S. Bureau of Land Management  
 Idaho Land Status Map  
 LP Boise, BLM, 1978.  
 1:1,000,000 22 x 33 in.  
 Idaho State Office, 550 West Fort Street, Boise, ID 83702
- ¶ U.S. Bureau of Land Management  
 Surface Management/Surface Minerals Management series:  
 EP Arco, 1979.  
 1:100,000 107 x 76 cm.  
 \$2.00 U.S. BLM, Idaho State Office, 550 West Fort St., Boise,  
 ID 83702

MONTANA

- ¶ Vitaliano, Charles J., et al.  
 Geologic map of southern Tobacco Root Mountains, Madison County,  
 JC Montana.  
 Boulder, Colorado, Geological Society of America, 1979.  
 1:62,500 107 x 77 cm. Map and Chart series, MC-31  
 Not free. Geological Society of America, 3300 Penrose Place,  
 Boulder, CO 80301
- ¶ U.S. Bureau of Land Management  
 Surface Management/Surface Minerals Management series:  
 EP Lima, 1979; Ringling, 1979; Seeley Lake, 1979.  
 1:100,000 107 x 76 cm.  
 \$2.00 U.S. BLM, Montana State Office, Granite Tower Bldg.,  
 222 N. 32nd St., P.O. Box 30257, Billings, MT 59107

NEVADA

- ¶ U.S. Bureau of Land Management  
 Surface Management/Surface Minerals Management series:  
 EP Wells, 1979; Wilson Creek Range, 1979.  
 1:100,000 107 x 76 cm.  
 \$2.00 U.S. BLM, Nevada State Office, Federal Bldg., Room 3008,  
 300 Booth St., Reno, NV 89509

NEW MEXICO

- ¶ New Mexico Peace Conversion Project  
 "Military Occupation of New Mexico"  
 PI Albuquerque, New Mexico, New Mexico Peace Conversion Project, 1979.  
 ca 1:1.27M 56 x 45 cm  
 \$1.00 + postage The New Mexico Peace Conversion Project,  
 2405 Meadow Road, SW, Albuquerque, NM 87105  
 A rather unusual work, somewhat similar to the one produced by the  
 War Resisters League of the USA (& Calif.?). The "Military Occu-  
 pation" deals not with Kearney and his bluecoats, but the modern  
 military establishments throughout the state. (continued on next p.)

NEW MEXICO (continued)New Mexico Peace Conversion Project  
"Military Occupation of New Mexico"

(notes continued from previous page): General locations are given for uranium mines (& proposed), uranium mills, tailings, proposed missile sites, nuclear reactors, weapons research, nuclear weapons storage, air force bases, military reservations, nuclear waste disposal (& proposed), and nuclear waste transportation routes. The obverse lists names of uranium mines and mills and their owners; plus the locations (in T. & R.--which is not on the map) and their status of operation.

OREGON

- ¶ U.S. Bureau of Land Management  
Surface Management/Surface Minerals Management series:  
EP Mt. Hood, 1979.  
1:100,000 107 x 76 cm.  
\$2.00 U.S. BLM, Oregon State Office, 729 N.E. Oregon St., P.O. Box 2965, Portland, OR 97208

UTAH

- ¶ Howard, Eugene L  
BC Geologic map of eastern Great Basin, Nevada and Utah / compiled and edited by Eugene L. Howard.  
Denver, Colorado, Terra Scan, 1978.  
1:250,000 col. map and sections on 3 sheets  
Terra Scan, 11219 West 27th St., Lakewood, Colorado 80215
- ¶ Utah Department of Transportation  
RM General highway map - State of Utah  
Salt Lake City, Utah Dept. of Transportation, 1979.  
1:500,000 122 x 99 cm. col. map, printed on vinyl  
\$6.00 Utah Dept. of Transportation, Room 616, State Office Bldg., Salt Lake City, UT 84114 (801) 533-5656

WASHINGTON

- ¶ U.S. Bureau of Land Management  
EP Surface Management/Surface Minerals Management series:  
Nespelem, 1979; Robinson Mtn., 1979.  
1:100,000 107 x 76 cm.  
\$2.00 US BLM, Spokane District Office, West 920 Riverside, Spokane, WA 99201; or Oregon State Office, P.O. Box 2965, Portland, OR 97208; or USGS, Branch of Distribution, Box 25286 Federal Center, Denver, CO 80225
- ¶ Washington (State). Dept. of Natural Resources  
PS Public lands quadrangle map series: Chelan, Skykomish River, Snoqualmie Pass, Tacoma, Wenatchee, Yakima quadrangles.  
1:100,000 69 x 84 cm. col. maps, USGS planimetric base.  
\$3.00 ea.  
(notes continued on next page)

WASHINGTON (continued)

Washington (State). Dept. of Natural Resources  
Public lands quadrangle map series  
(notes continued from previous page)

This new series (1979-) features the following categories of public lands: (each coded by different color)

1. Bureau of Land Management
2. Forest Service
3. National Parks
4. Wilderness Areas
5. Indian and Military Reservations
6. Wildlife Recreation Areas
7. Washington State Department of Game
8. Washington State Department of Natural Resources
9. Washington State Department of Parks & Recreation

The maps are printed on durable, waterproof paper which is tear resistant. The material may be written on with almost any marker. Complete state coverage is anticipated within the next few years. Copies available folded or flat; payment must accompany mail orders. DNR Resource Inventory Section, Public Lands Bldg., Olympia, WA 98504

- ¶ Washington (State). Dept. of Natural Resources. Division of Geology and Earth Resources.  
PS Geologic map of the Marblemount quadrangle, Washington, by Peter Misch.  
Olympia, State of Washington, 1979.  
1:48,000 Publication GM-23  
\$4.00 Washington Department of Natural Resources, Division of Geology and Earth Resources, Olympia, WA 98504

The author, Dr. Peter Misch from the Department of Geology at the University of Washington, has been studying the geology of the North Cascades since 1949. This publication is the first published large-scale geologic map of that area.

WYOMING

- ¶ U.S. Bureau of Land Management  
Wyoming (public land user maps)  
RM 1:200,000 56 x 84 cm on sheet 64 x 103 cm.  
Series complete in 14 maps, description on verso including topo map index, to be completed by 1980.  
Available from BLM offices in Wyoming. GPO depository item.



## DEALERS' CATALOGS RECEIVED

- ¶ Andover Square Books. 805 Norgate Road, Knoxville, TN 37919  
G. Allan & Marjorie R. Yeomans. (615) 693-8984
- January 7, 1980: A Sale of Western Americana Maps and Plates.  
2 v., 28 cm.
- ¶ Antique Map Mail Auction. 5614 Northfield Rd., Bethesda, Md. 20034  
Tim Coss. (301) 657-9074
- Auction No. 3 (Closing Date: February 19, 1980) 24p., illus.
- ¶ W. Graham Arader III, Rare maps, books and prints. 1000 Boxwood Court,  
King of Prussia, Pennsylvania 19406
- Catalogue 20 (December, 1979): Americana II 40 p., 372 items, plus  
"Sixteen top general reference books on American historical prints",  
and, "Twelve top general reference books on historical cartography".  
Written under the direction of Donald H. Cresswell.
- ¶ Richard B. Arkway, Inc. 114 East 61st St., New York, N.Y. 10021  
(212) 752-1864
- Catalogue XIV, Fall 1979: Rare Books & Maps: atlases, travels, explor-  
ations, Americana, powder horns, maps - chiefly American. 59p., 83 il.  
items. Prepared by Robert Augustyn, Rex Parady, and Richard B. Arkway.
- ¶ Messrs. Berkelouw, Antiquarian Bookdealers. "Bendooley", Hume Highway,  
Berrima, New South Wales 2577, Australia.
- Catalogue 278: Maps & Prints. 45 p., 145 map items, 190 prints.
- ¶ Bow Windows Book Shop. 128 High Street, Lewes, East Sussex BN7 1XL,  
England.
- Catalogue Eighty-Two: A selection of antiquarian and modern books  
including sections on: ... geology and palaeontology; general subjects  
including: local topography and travel .... 52 p., 531 items.
- ¶ C. Broekema, Antiquarian Book- and Mapseller. 28 Titiaanstraat, 1077 RH  
Amsterdam, Holland.
- Catalogue 62: Old and Rare Maps & Seacharts. 52 p., 409 items, illus.,  
indexed, by place.

- ¶ Collectors' Circle Ltd., P.O. Box 95050, Woodfield Station, Schaumburg, Illinois 60195. (815) 439-1113
- Rare Maps and Prints 18p., 64 maps, 6 reproductions, 4 rare books. Primarily Eastern Europe, emphasis on Lithuania and Poland.
- ¶ Robert Douwma (Prints & Maps) Ltd. (formerly Weinreb & Douwma Ltd.)  
93 Great Russell Street, London WC1
- Catalogue 22: Rare and interesting printed maps up to 1800.  
1979 62 p., 111 items, illus. List of references. Subject index: places and subjects, people.  
Compiled by Tony Campbell.
- ¶ Elizabeth F. Dunlap. Books and Maps. 6063 Westminister Place, St. Louis, Missouri 63112 (314) 863-5068
- List No. 32-M (October 1979) Maps of North American Interest.  
16 p., 248 items.
- ¶ Richard Fitch. Old Maps and Prints. 2324 Calle Halcon, Santa Fe, New Mexico 87501 (505) 982-2939
- Catalogue No. 33: Americana. (November 1979) 38 p., 239 items, illus., references cited.
- ¶ Frontier America. Box 3698, Bryan, Texas 77801. (713) 846-4462
- Catalogue 30: Rare and Unusual Americana. 80 p., 544 items, illus.  
Occasional List NO. 6: Americana. 20p., 112 items.
- ¶ Michael Ginsberg Books, Inc. Box 402, Sharon, Mass. 02067 (617) 784-6929
- Catalogue Twenty-two: Americana and the West. 66 p., 1154 items.
- ¶ R. T. Lombard, Jr. Antique Maps. 21-2 Ft. McNair, Washington, D.C. 20024 (202) 554-3676
- Fall 1979. 12 p., 53 items, illus., references.
- ¶ Map Collector Publications Ltd., Book Distribution Service. P.O. Box 53, Church Square, 48 High Street, Tring, Hertfordshire HP23 5BH, England.
- 1980 catalogue of books on Early Maps and voyages of discovery which have influenced the development of cartography. 12 p., 153 items.

- ¶ Mapquest. P.O. Box 14211, Atlanta, Georgia 30324  
 Catalogue #6 From the Mapquest collection: Rare Maps and Books.  
 26 p., 210 map items, 12 books. illus.
- ¶ J. Patrick McGahern - Books, Inc. 763 Bank St., Ottawa, Ont., Canada  
 K1S 3V3  
 Catalogue No. Thirty-Six: Scarce and interesting Canadiana. 12 p. 243  
 items. (many atlases and geographical works)  
 Catalogue No. Thirty-Seven: " " 8 p., 175 items.
- ¶ Monk Bretton Books. 1 Dale Avenue, Toronto, Ont., Canada M4W 1K2  
 Catalogue Eleven: The New World. 16 p., 61 items, illus.
- ¶ Old Maps and Prints. P.O. Box 2234, Fort Worth, Texas 76113 (817) 923-  
 4535. Petra and Preston Figley.  
 List 2: 10 p., 52 items, illus.
- ¶ Walter Reuben Inc. Suite 910, American Bank Tower, Austin, Texas 78701  
 (512) 478-3338  
 Catalogue 34: Rare Books and Maps. 118 p., 217 items, illus., indexed.  
 The Books: items 1 thru 120b; The Maps: items 120c thru 217. c1979.  
 Bancroft Library's Phil Hoehn is quoted in the annotation of item 153:  
 "Chart of the Coast of California from San Blas to San Francisco ..."  
 Catalogue 35: One Hundred Rare Maps (Christmas 1979) 56 p., indexed.
- ¶ Charles Sessler, Inc. 1308 Walnut St., Philadelphia, Pa. 19107 (215) 735-  
 1086  
 Fall 1979: Rare Books, Prints and Maps. 32 p., 27 books, balance prints.  
 "This is the first rare book and print catalogue since our founding in  
 1882." Compiled by Carol Soffa and Michael Gibson, with assistance from  
 Laurie Lewis and Hollie Powers. Rare Books, Prints and Maps manager is  
 Carol Soffa.
- ¶ Antiquariat Stenderhoff. Alter Fischmarkt 21, 4400 Münster  
 Antiquariatskatalog 336: November 1979: Alte Stadteansichten und  
 Landkarten. 216 p., 5126 items, illus.

- ¶ L. S. Straight. 101 Maple Street, Weehawken, New Jersey 07087  
(201) 863-9115  
Catalogue No. 333: Americana. (November 1979) 10 p., 95 items.
- ¶ R. V. Tooley Limited. Church Square, 48 High Street, Tring, Hertfordshire HP23 5AE, England  
First Supplement to Catalogue Number One (Map Department).  
(November? 1979) 20 p., items 501 - 615.  
"Map Department opening shortly at 33 Museum Street, Bloomsbury, London WC1A 1LH (Opposite the main entrance to The British Museum)  
(Telephone: 01-637 9724).
- ¶ [late arrival] P. J. Radford. Sheffield Park, Nr. Uckfield, Sussex, England.  
Catalogue No. 32: Sect. 1: 166 items, British Isles; Sect. 2: Parts of the World, 145 items; Sect. 3: Prints, 58 items; Sect. 4: Americana, 31 items. Citations are annotated with references; 188 illustrated.

#### MAP PUBLISHERS CATALOGS RECEIVED

(The following are provided through the courtesy of David Lundquist, University of California at Davis.)

- ¶ Midland Map Company. Box 1229 (106 N. Marienfeld) Midland, Texas 79702  
(915) 682-1603 (Texas toll free number 1-800 592-4650)  
Ownership Maps. Price List, Revision Dates, November & December 1979 & January 1980. Areas: West Texas and Southeast New Mexico. Subjects: oil wells, land ownership. Base maps.
- ¶ Oklahoma Oil Maps, Inc. 1100 Classen Drive, Suite 222 Plaza Court Bldg., Oklahoma City, Oklahoma 73103 (405) 235-0421  
Descriptive Brochure 1979. County lease and ownership maps showing fee owner, lease holder and expiration date, new locations and drilling wells, dry holes with total depths.
- ¶ Petroleum Information Corporation. TGA Building, 2150 South Bellaire St., Denver, Colorado 80222 (303) 757-7141  
Map Catalog, revised 1979. Includes maps available from Ammann Map Services (San Antonio, Texas); Petromotion (Denver, Colorado); POMCO (Casper, Wyoming); Petroleum Information/Heydrick (San Antonio, Texas); Midcontinent Map Services (Tulsa, Oklahoma).  
Areas covered are all petroleum producing states; subjects: land ownership, oil leases, etc. 120 p., illus., indexed.

# NEWS NOTES

The Pan American Institute of Geography and History (PAIGH) has announced the forthcoming production of its "1:250,000 Scale Unified Hemispheric Mapping Series".

President J. Alberto Villasana L. of PAIGH's Commission on Cartography distributed a letter (dated 30 October 1979 - the copy received by Larry Cruse of the University of California-San Diego, who generously shared this information so we can all be aware of this important announcement) in which he is inviting those desirous of subscribing to the Series on a STANDING ORDER BASIS to respond by 31 December 1979.

While we are delighted that this Series is to be produced, the fact that not all of us were on the PAIGH mailing list, however, means that we missed the deadline for responding to the letter. David A. Cobb, Chairman of the SLA Cartographic User's Advisory Committee, sent a letter (February 4, 1980 - he was only aware of the situation second-hand) indicating that PAIGH might be missing a great potential by not making contact with all map librarians: "... Because a significant majority of map collections are not associated with academic geography departments, and because there is a high interest for Latin America in map collections, I believe you may not have a true perspective on the interest in your proposed series. In short, I would urge you to contact map collections for additional sales potential."

President Villasana's letter indicated that of the twenty-one Latin American countries, "currently, there are nineteen nations who have indicated their intent to join the program, eleven of which have signed the production program document. Production has started in these countries, using the same datums, formats, projections and symbols to make these maps<sup>a</sup> truly unified hemispheric series. ... We expect that within a year each signee will have initiated publication of the series."

The order form contains the following information: The President  
PAIGH Commission on Cartography  
San Antonio Abad 124 5° Piso  
Mexico 8, D.F.

"I wish to be included in your subscribers list, in order to automatically receive, as they become available, the 1:250,000 scale maps of The United Hemispheric Mapping Program. I understand that the cost will be \$2.25 (U.S. Currency) per copy, plus cost of handling and mailing."

Subscribers may indicate the entire set for purchase: HEMISPHERE (2729 sheets); or NORTH AMERICA (1583 sheets), which includes Canada (831 sheets), United States (632 sheets), Mexico (120); CENTRAL AMERICA (53 sheets), which includes Costa Rica (7), El Salvador (3), Guatemala (11), Honduras (11), Nicaragua (10), Panama (11); SOUTH AMERICA (1085 sheets), which includes Argentina (201), Bolivia (56), Brazil (488), Chile (73), Colombia (73), Ecuador (20), Paraguay (25), Peru (73), Uruguay (12), Venezuela (64); ANTILLES (8 sheets), which includes Dominican (5), Haiti (3).

[Editor's Note: It is not known whether the following countries, not listed on the Order Form, will be covered by the Series: Barbados, Bermuda Islands, Cuba, French Guiana, Guyana, Puerto Rico, Surinam, Trinidad and Tobago.]

Those who do not desire to subscribe to the Unified Hemispheric Mapping Series at this time may wish to subscribe to the catalog and quarterly bulletins to be issued by PAIGH; cost will be \$50 U.S. per year.

There are several unknown factors about this series, the answers to which we will attempt to provide in forthcoming issues of the Information Bulletin. Dave Cobb, in his letter to the President of PAIGH, asked an important question: "... would you please describe how your proposed map series will differ from the current 1:250,000 mapping of the United States and Canada?" - and I [Ed.] might add, Mexico?

Larry Cruse, President of WAML, and Sylvia Warren, Member of WAML, both at UC San Diego - Sylvia does the map acquisitions and speaks fluent Spanish - attempted to reach President Villasana in Mexico City on Friday, February 15, without success. They will keep trying. Larry will urge that PAIGH delay the setting of their production figures until all have gotten their orders placed. In line with Dave Cobb's suggestion that President Villasana use the Directory of Map Collections in the United States and Canada as a basis for distributing the forms, etc., Larry will offer to send a copy at WAML's expense.

¶¶ LATE REPORT (Feb. 20th): Sr. Villasana has extended the deadline indefinitely. ¶¶ This is an important development in Latin American mapping, and as information becomes available we will pass it along. If anyone needs to attempt a telephone call to President Villasana, his telephone number is (area code 905) 578-3462.

#### RARE VOLUMES OF PACIFIC OCEAN VOYAGES STOLEN

Peter Spyers-Duran, Director of the University Library, California State University at Long Beach, would appreciate your assistance and cooperation in their attempt to recover twenty-seven rare volumes stolen from their Special Collections.

The stolen items, discovered only recently as missing - stolen sometime during the past two years, are quite rare and were published between 1699 and 1841 with the majority being in the 1700s. All are voyages and travels of the Pacific, with particular reference to California. The missing volumes are unmarked except for a bookplate: "The Library of Phillip Baldwin Bekeart, San Francisco, California". The missing items are as follows:

- Beechey, Frederick William: Narrative of a Voyage to the Pacific ... 1831.
- Belcher, Sir Edward: Narrative of a Voyage Round the World ... 1843.
- Beresford, William: A Voyage Round the World ... 1789.
- Bernard du Hautcilly, Auguste: Viaggio Intorno al Globo Principalmento...1841.
- Betagh, William: A Voyage Round the World. ... 1728.
- Chetwood, William Rufus: The Voyages, Dangerous Adventures.... 1720.
- Choris, Ludovik: Voyage Pittoresque Autour du Monde ... 1822.
- Cook, James: A Journal of a Voyage Round the World ... 1771.
- Cook, James: A Voyage to the Pacific Ocean ... 1793.
- Coxe, William: Account of the Russian Discoveries between Asia ... 1780.
- Coxe, William: Nouvelles Decouvertes des Russes entre l'Asie ... 1781.
- Dampier, William: A New Voyage Round the World ... 1699.
- Gordon, Patrick: Geography Anatomiz'd; or, The Geographical Grammar. 1716.
- Heylyn, Peter: Cosmographie in Four Books ....

- Kotzebue, Otto von: Voyage of Discovery in the South Sea ... 1821.  
 Kotzebue, Otto von: A Voyage of Discovery, into the South Sea ... 1821.  
 Langsdorff, Georg Heinrich, Freiherr von: Voyages and Travels ... 1817.  
 Laperouse, Jean Francois de Galaup, comte de: A Voyage Round the World ... 1798-99.  
 Müller, Gerhard Friedrich: Voyages from Asia to America... 1761.  
 Patterson, Samuel: Narrative of the Adventures and Sufferings of ... 1817.  
 Portlock, Nathaniel: A Voyage Round the World ... 1789.  
 Rogers, Woodes: A Cruising Voyage Round the World ... 1726.  
 Sufferings of John Turner, Chief Mate of the Country Ship, Tay, ... 1809?  
 Trusler, John: The Habitable World Described, Or, The Present State... 1787-97.  
 (Volume 7 only)  
 Vancouver, George: A Voyage of Discovery to the North Pacific Ocean ... 1798.  
 (two volumes of three missing)  
 A Voyage Round the World, in the Years 1785, 1786, 1787 and 1788. Performed  
 in the King George, Commanded by Captain Portlock ... 1789.  
 Walter, Richard: A Voyage Round the World in the Years MDCCXL, ... 1748.

Anyone who wishes to contact Mr. Peter Spyers-Duran or the Library's Special Collections department regarding this matter, may do so by telephone (213) 498-4047 (TWX 910-341-7654) or mail: Office of the Director, The Library, California State University, Long Beach, California 90840.

STAR MAP FOUND, DATED in 1005 *Reprinted from the San Diego Union 10/28/79.*

A map of the stars dated in the year 1005 has been discovered in a temple pagoda in Suzhou and authorities said they believe it is the oldest such map ever found in China, the official Chinese new agency Xinhua said.

The 10-inch by 9-inch map, printed with wood blocks, shows the 28 "lunar mansions" of ancient China and the zodiac signs of Babylon, Xinhua said. It "provides important material for the study of the history of astronomy in China and of Babylonian astronomy and how it was introduced into China," the report added.

*Thanks to Larry Cruse for the above item.*

FROM THE OLD TO THE ...

*Contribution courtesy of J. B. Post.*

A "Forecasters' Roadmap of the 1980's, alternative prognostications 1980-1989" drawn by Tom Chalkley, appears in The Futurist (February 1980, Vol. 14, No. 1, pp. 8, 9). This is a political map, with humor and imagination, depicting a signpost leading to: "War, Peace, Poverty, Prosperity, Oppression, Liberation, Complexity, Simplicity, etc.". Some of the places located on or off "Status Quo Boulevard" are "Verge of Extinction", "Ecological Disaster Area", "Troubled Waters", "Cybernia", "Malthusia" (where the population is 10-zillion and the main industries are funerals and midwifery), "Xanadu", "Ecotopia", "Great Depression", "Police State", "Hysteria", "Pollyanna", and much more.

For those who have enjoyed J. B. Post's *Atlas of Fantasy* (see review in this issue's Atlas and Book Reviews), you'll appreciate this "Forecasters' Roadmap".

ANOTHER PICTORIAL, POLITICAL MAP*Courtesy of Larry Cruse.*

The California Journal (Sacramento, CA., January 1980 issue) includes a "map" by Greenberg entitled "The California View". It is a series of six attitudinal perspective maps based on the geographical provincialism and self interest of the major population and power centers of California. It is a single page (28 x 22 cm.) at a scale of ca. 1:10,000,000, and it lends itself well to being xeroxed - for inclusion in a collection of pictorial, political, or advertising maps.

The maps are from the following perspectives: "an L.A. view", "the Fresno view", "the San Francisco view", "a San Diego view", "the Sacramento view", "an Eastern view", "Long Beach as seen by Los Angeles".

The caption reads: "California View. Regionalism lives! You can always tell a map of So. California drawn by a Northern Californian by the mandatory sea monster lurking off L.A.! What's the real California view? It all depends upon your perspective ..."

CARTO-PHILATELISTS

The Carto-Philatelists is a non-profit organization of about 100 members who collect stamps with maps on them. Most of our members reside in the United States and Canada but several are from overseas nations.

Although the organization has been in existence for a couple of decades now, there undoubtedly are a number of persons interested in this speciality that are not aware of the group. The group publishes a quarterly journal that is about 15-pages each issue. Dues are \$8.50 each year for U.S. residents, and slightly more for foreign residents. The dues are used for publishing expenses and other operational expenses.

Map stamps are uniquely beautiful and include a wide variety of themes: antique maps, explorers' routes, territorial claims, railroad lines, roads, air routes, rivers, city maps, map projections, etc.

Further information about this group may be obtained by writing to the chairman of the membership committee, Robert J. Richmond, 40 Clinton St., 5-M, Brooklyn, New York 11201.

[EDITOR'S NOTE: Donald T. Clark, University Librarian Emeritus, University of California at Santa Cruz, and a volunteer in our Map Collection, is presently working on an exhibit of his Map Stamps to be displayed in the foyer of our University Library during the month of March 1980. He has been a collector of map stamps for many years, retirement has given him the opportunity to do some research on them. He is attempting to find, and has been somewhat successful, facsimiles or originals of the maps depicted on the stamps - these will be displayed with the stamps.]

READER ALERT

During 1980, parts of the Library of Congress will be moving into its new James Madison Memorial Building. This will cause disruption to some of its services. Please write or call the Library before coming in 1980 to determine current situation: Hotline for up-to-date information -(202) 287-MOVE.



U.S. GOVERNMENT PRINTING OFFICE - MAPS ON DEPOSITORY?

David A. Cobb, Chairman of the Cartographic User's Advisory Committee of SLA, has written to the Government Printing Office urging that that office distribute a series of Soil Conservation Service maps, "Important Farmlands Maps".

He has been informed that these maps are only available from the individual State offices of SCS. Noting that this method of distribution is "a terrible inconvenience for map libraries" especially when the interests of a map library usually cover several states, if not all states.

Dave's letter expressed the hope that "more and more maps can be added to the depository program".

If you feel you could support this specific request, or the general desire for more maps via GPO, won't you please take the time to write, demand does get results:

Mr. J. D. Livsey, Director  
Library & Statutory Distribution Service (SL)  
Government Printing Office  
Washington, D.C. 20401

MAP SCALE INDICATOR

Participants in the Map Cataloging Workshop at the WAML Fall Meeting in Tucson expressed a desire for information on obtaining the Map Scale Indicator that was shown during the Workshop. Here is the information, as of January 8, 1980:

The Map Scale Indicator may be used to ascertain the relative fraction scale of any map on which the parallels of latitude or a graphic scale of linear distance in miles, feet or kilometers is shown. It is of special value to map librarians who need the relative fraction scale for use in map cataloguing, but it would also be of use to cartographers, surveyors, and other map users.

It is photomechanically reproduced on a 38.74 x 8.26 cm (15½ x 3¼ in.) sheet of stable base polyester film, which has a matte finish and is .007 in. thick.

Map Scale Indicators are currently available from the Memorial University of Newfoundland Cartographic Laboratory (MUNCL). The price of the indicator is \$4.00, prepaid, which includes postage and handling. There is no discount for educational institutions. The proceeds of the Map Scale Indicator sales are going into the Scholarship Fund sponsored by the Department of Geography of which MUNCL is a part. The address is as follows:

Clifford H. Wood, Director  
MUNCL - Memorial University of  
Newfoundland Cartography Laboratory  
Department of Geography  
St. John's, Newfoundland  
CANADA A1B 3X9

[EDITOR'S NOTE: The trade name Continental Cartographics, under which the Map Scale Indicator was formerly marketed, no longer exists. The information given above is the same product, however.]

MAGAZINE INDEX TO INCLUDE MAPS IN DATA BASE *Information courtesy of J. B. Post.*

Chronolog, a newsletter published by DIALOG Information Retrieval Service of Palo Alto, California (ISSN 0163-3732), announced in its December 1979 issue (Vol. 7, No. 12, that:

"Beginning with the December 1979 update, MAGAZINE INDEX, File 47, produced by Information Access Corporation, has two expanded prefix-coded fields. The Article Type (AT=) and the Special Feature (SF=) fields now include all of the same index entries as those searchable in the NATIONAL NEWSPAPER INDEX, another database from IAC.

"The Article Types (AT=) now being used in indexing MAGAZINE INDEX are:

BIOGRAPHY	EDITORIAL	LETTER	REVIEW
CALENDAR	EVALUATION	OBITUARY	TRANSCRIPT
COLUMN	ILLUSTRATION	PHOTOGRAPH	

Previously the Article Type field consisted only of entries for BIOGRAPHY, EVALUATION, and REVIEW.

"The Special Feature (SF=) index contains:

CARTOON	GRAPH	MAP	PORTRAIT
CHART	ILLUSTRATION	PHOTOGRAPH	TABLE

All special features with the exception of ILLUSTRATION and PORTRAIT are additions.

"These additional prefix-coded terms will be effective in MAGAZINE INDEX from December 1979 onwards; they will not be added to the retrospective file. Thus, use of the new access points in File 47 will automatically restrict a search to this time period."

CALIFORNIA HISTORICAL RECORDS

*Information supplied by R. Philip Hoehn.*

A new service available to public and private organizations is the California Historical Records Educational & Consultant Service, which is funded by the National Historical Publications and Records Commission. Project Director is Dr. W. N. Davis, Jr., Chief of the California State Archives, and Walter "Terry" Baggs is the Manuscript Specialist, while Laren W. Metzger is Archives Specialist.

As part of the services offered by this Service, the project staff will provide on-site consultation to public and private organizations requesting it. However, due to limitations of staff and time, consultation services must be carefully controlled. Accordingly, the staff has developed procedures and guidelines to assist organizations desirous of obtaining consultation.

There are no fees for the services offered by project staff.

A copy of the guidelines and procedures for requesting consultation services may be obtained from the Service at 1931 "K" Street, Sacramento, CA 95814, phone (916) 447-2958.

MANUAL OF MAP LIBRARY CLASSIFICATION AND CATALOGUING. 1978.

[Tolworth, Surbiton], Ministry of Defence, 1978. Prepared under the direction of The Chief of the General Staff. Code No. GSGS 5307. £12.60 (plus postage), available from:

School of Military Survey  
Hermitage  
Newbury  
Berkshire RG16 9TP  
England

This manual has 140 pages of text and tables, and 138 index maps on 84 plates (with various scales). It is contained in a sturdy, vinyl binder that measures 31 cm. in height x 24 cm. in width. The pages and plates are held with a post binding mechanism that permits quick and efficient changes to be made as new amendments are printed.

In 1946, Captain E. J. S. Parsons (Royal Engineers) prepared a manual for a new system of classifying and cataloguing maps in the War Office Map Library. One could, but shouldn't, consider this a Second Edition of Parsons; however, as one might expect, there have been so many changes in the size of collection at the Ministry of Defence, as well as map librarianship practice, "The result is that the new manual is much more than a revision; it describes and authorises principles and practices which were scarcely or not at all considered previously."

"The structure and outward manifestations of the system will continue to accord, at least superficially, with the original Parsons scheme. ... to produce a strictly 'geographical' arrangement; ... . The classification involves no subject element; some provision for retrieval by subject being made through the incorporation in the catalogue of a simple additional entry subject file."

"... Existing users of the Parsons scheme outside the Ministry of Defence should note that the alterations have been designed solely and entirely to meet the requirements of this Department. Whether or not some of the provisions are applicable elsewhere is for other map librarians to decide. Moreover although attention has been paid to other cataloguing codes, it has not necessarily been policy to observe all the principles that they embody. The function of the library and its catalogue, operating firstly as an information retrieval system and secondly as a set of bibliographic records, has been the dominant influence."

"... other map librarians may find some interest in certain of the provisions. Specific examples might be the methods of assigning an area classification and for determining the range of additional entries. In these cases the principles embodied in this manual could probably be adapted to any classification and cataloguing scheme based on a hierarchical structure of geographical areas. It should however be recognised that such methods are dependent on clear definition of the geographical areas, achieved in this manual. by means of the maps supporting the schedules in Annex A. The boundaries and names used to define these areas are chosen for convenience in library classification and cataloguing and do not necessarily conform to official boundaries and nomenclature."

"This manual has been produced with the object of establishing a standard of map librarianship that will eventually result in a catalogue which adequately meets the main requirement of users of the Ministry of Defence Map Library. That requirement is for rapid and accurate identification and retrieval of mapping which is potentially relevant to a search expressed in terms of 'area', 'scale', 'date', and sometimes, 'subject'. An important but secondary objective has been to ensure that the catalogue will provide a reliable set of bibliographic records, such that specific items held can be efficiently identified and recovered. In general it has not been possible to establish a system which will fully meet other objectives (eg search by publisher or projection) because of practical limits in the flexibility of a card based system."

"The greater part of the manual [i.e., about 50 pages] is devoted to providing guidance and instructions in map classification and cataloguing; the remainder is concerned with related procedures and separately filed collections. ..."

Other sections of the Manual deal with "Filing, Protection and Care of Maps", "Filing Rules for the Main Card Catalogue", and under the "Cataloging" chapter: definitions of "The Concepts of Maps in Series, Parts and Sets".

In appendix B we find the Index to Countries and Islands, a fifty-one page alphabetical list that is cross-referenced to Classification Area and to Classification number. A list of Prime Meridians, with the Greenwich value, is also provided.

A three-page Glossary is provided, but it is an explanatory vocabulary of terms used in the Manual; rather than a glossary of cartographic, geographic, and printing/reproduction terms.

While there is much in the Manual of interest and applicability to all map collections, while taking into account the provisos quoted above, the strength of the Manual is in the "model" established by its format.

The classification schedules for all countries (i.e., nearly all) and regions are accompanied by maps (138 to be exact). If you were using the Parsons system, either as a cataloger or a library patron, you would know exactly what the classification number would be for any given area. It is particularly strong in its treatment of islands. The classification maps, in conjunction with the Index to Countries and Islands, leave little to the whimsical mood of a cataloger.

The authors of the Library of Congress Classification Schedule G have attempted to provide us with some guidance in the latest edition; however, they have a long way to go before geographical clarity is as well documented as in this Manual.

The Map Research and Library Group, Mapping and Charting Establishment, Ministry of Defence, is commended for this new edition. It is a superb contribution to the literature and tools of map librarianship.

Stanley D. Stevens

## JOBS IN MAP LIBRARIANSHIP - VACANCIES

The Library of Congress, Geography and Map Division, Washington D.C.

POSITION: Librarian (Reference) GS-9 \$17,035 - \$22,147

NUMBER OF VACANCIES: Two TYPE OF APPOINTMENT: Permanent PROMOTION  
POTENTIAL: Promotion plan to GS-12

**BRIEF DESCRIPTION OF DUTIES:** Under the general supervision of the Head, Reference and Bibliography Section, works as a member of the staff responsible for the general operation of the Geography and Map Reading Room; provides reference service to patrons of the Library seeking geographic and cartographic information; drafts clear and concise responses to reference correspondence; advises patrons on the contents of the comprehensive cartographic holdings of the Geography and Map Division; services the extensive and valuable collection of rare maps, atlases, and globes; recommends items for addition to the Division's reference book collection and assists in the maintenance of this collection; maintains a current awareness of the Library's automated data bases, and in response to reference inquiries and needs, selects appropriate data base and search strategy for obtaining needed bibliographical information; prepares selective and comprehensive bibliographies, checklists and other finding aids in the fields of cartography and geography.

**MINIMUM QUALIFICATIONS:** Two years of specialized experience, including one year at the GS-7 level in the Federal Service or at a comparable level of difficulty outside the Federal Service. This specialized experience must include: knowledge of the fields of geography and cartography; knowledge of basic reference tools, especially those pertaining to geographic topics; ability to locate in the collections of the Library, cartographic and geographic publications concerning a variety of areas, sources, dates, and/or subjects and interpret those materials in accordance with specific needs of readers; ability to communicate effectively with patrons; ability to draft clear and concise responses to reference correspondence; ability to prepare bibliographies, checklists and other finding aids, and an ability to query the Library's data bases.

**EDUCATIONAL REQUIREMENTS:** Bachelor degree with a major in one of the earth or social sciences (applicants must submit a course list with their application). **SUBSTITUTIONS:** For this position a Master degree in geography, history, library or information science may be substituted for the two years of specialized experience.

**QUALITY RANKING FACTORS:** [There is a list of five factors, which are omitted in this notice, due to space considerations. The Posting is available for full details.]

POSTING No. 91106 ANNOUNCEMENT DATE: January 14, 1980 CLOSING: Jan. 24, 1980\*

\*Applications may be accepted beyond the closing date specified above. To ascertain whether a posting is open, please contact the Recruitment and Placement Office or the Geography & Map Division. THE LIBRARY OF CONGRESS, EMPLOYMENT OFFICE, ROOM LCB G-106B, WASHINGTON, D.C. 20540

## MINUTES

Meeting of the Executive Committee  
 Western Association of Map Libraries (WAML)  
 Fall Meeting - October 25-26, 1979  
 University of Arizona Tucson, Arizona

A meeting of the Executive Committee was called to order at the Plaza International Hotel, headquarters hotel for the Tucson meeting, by President Larry Cruse, at 8:40 a.m. Members present, in addition to Mr. Cruse: Marjorie Henry, Secretary; David Lundquist, Vice-President; Stan Stevens, Treasurer; and, Past-President Frances Woodward.

1. The minutes of the previous meeting in Menlo Park were approved.

Costs of printing Map Cataloging Workshop Reference Material

Treasurer Stan Stevens reported the cost of printing the Library of Congress, Geography and Map Division, Map Cataloging Manual; Interpretation of Revised Chapter 6; Proposed RI's Chapter 11: Working Paper; and Map Classification Code (052). This material, published in offset style, was printed in double-page format in order to hold down printing costs. Further, since a more formal manual will appear in late 1980 or in 1981, economy in printing material soon to become obsolete, seemed prudent. Nevertheless, the manual, provided by John Schroeder, has intrinsic value not only for WAML principal and associate members, but also for institutional members, to whom the manual might be offered for sale.

Costs of printing the manual, plus announcements of the Workshop/Meeting, came to \$530. for 120 copies. \$475 had been collected so far from participants at the workshop for registration and materials fees. Stan felt that WAML needed to dispose of 60 remaining copies, recoup printing costs and pay John Schroeder's travel expenses.

2. Question: what should be charged for the sale of the additional copies of the Map Cataloging Workshop Reference Material? A consensus arrived at \$7.50. If a strong demand developed, reprinting the manual was possible, said Stan.

WAML Occasional Papers

Stan Stevens reported that expenses for publishing Occasional Papers #4 and #5, including a brochure announcing the OPs totals \$1,694.

Sales of Occasional Papers since the last report: (sold 78/79 & to Apr. 25)

OP #1	27	-	need to sell 40 more to break-even.
OP #2	50	-	Even! (sold 230 copies to date & recovered publishing costs)
OP #3	59	-	need to sell 14 more to break-even.
OP #4	88	-	need to sell 90 more " " "
OP #5	54	-	need to sell 108 more " " "

Frances Woodward suggested placing a notice about OP #5 (Maps of Fiji) in the "Journal of Pacific Studies", published by Brigham Young University, Hawaii. Stan discussed problems of promoting sales of Occasional Papers. Larry Cruse suggested the possibility of promotion efforts being made by WAML's Publications Committee.

### Spring 1980 Meeting

David Lundquist reported on plans for the Spring, 1980 WAML meeting, which will be held at the University of California, Davis campus, on April 25-26.

On Thursday afternoon, April 25, Phil Hoehn will coordinate a discussion by Map Society of California members on "Historical map resources in the Sacramento area". On Friday, April 26, morning and afternoon sessions would include the use made by a Davis faculty member in Applied Behavioral Science Department of maps to indicate social change. Harold Otness, WAML member, will discuss the use of maps in advertising. The editor of the newly published Water Atlas of California will talk about selecting maps to use in that publication.

This is a tentative schedule. A luncheon at the Faculty Club (site of the meetings) is being planned. Transportation from the airport at Sacramento must be arranged. A field trip to the California State Library is a possibility.

The meeting was adjourned at 9:40 a.m.

Respectfully submitted,

Marjorie R. Henry  
Secretary

## MINUTES

General Meeting  
Western Association of Map Libraries (WAML)  
Fall Meeting - October 25-26, 1979  
University of Arizona Tucson, Arizona

The meeting of the Membership was called to order by WAML President Larry Cruse at 10:30 a.m., Thursday, October 25, 1979, in the multi-purpose room, University Library. He then introduced Mary Dale Palsson, Assistant Director, University of Arizona Libraries. She welcomed WAML members to the campus. She paid tribute to Mary Blakeley, Head of the Map Division, and to Linda Cottrell, Map Librarian and coordinator for the meeting, for their efforts in setting up and maintaining the splendid map library, through which WAML members had toured prior to the opening of the morning session.

Following the pleasant custom observed at WAML meetings, attendees then introduced themselves.

Minutes of the Executive Board meeting were read.

The business meeting was next on the agenda. Stan Stevens reported on sales of the Occasional Papers (see Minutes of the Executive Meeting for figures). He then reported that each issue of the Information Bulletin now costs \$1,000. to print, and that the mailing list was up to 400.

WAML membership includes 126 principal region members of whom 98 had paid dues to date; 9 of these were new members. Associate members number 60, of whom 51 were paid and one was new. Institutional members totaled 31, with 25 paid and one new. Stan urged members to inform the Membership/Hospitality Committee of any prospective members.

Stan urged members to send him contributions to the Information Bulletin feature, "New Mapping of Western North America", and indicated that there are report cards available to anyone who would like to take them.

He discussed printing the Map Cataloging Workshop Reference Material (see the Minutes of the Executive Committee for details).

David Lundquist discussed the forthcoming WAML Spring, 1980 meeting to be held at the University of California, Davis. In addition to reporting on the proposed agenda, he urged members planning to attend that meeting to make motel reservations early because facilities in Davis are limited.

Current Developments followed: Linda Cottrell, our indefatigable coordinator, went over plans for the dinner to be held Thursday evening at Pancho's Mexican Restaurant, and for the Saturday, October 27, field trip to the Arizona-Sonora Desert Museum.

Stan Stevens reported some job openings.

John Schroeder summed up the current movement among some members of the Geography and Map Division of Special Libraries Association to break away from that organization. Some want to join the American Library Association and form a Roundtable. Others wish to form a new organization composed only of map library members. It was felt that WAML could still maintain its regional identity but could have impact on a new organization. The question has arisen: how many organizations can we support on a regional, national, international level? Obviously, WAML members will be hearing more about this matter in the reasonably near future.

Mary Larsgaard represented WAML at the recent AACR II meeting in Ottawa, and will present a report in a forthcoming issue of the WAML Information Bulletin.

Linda Cottrell reported on the formation of a new OCLC users group, stressing concerns of catalogers and reference librarians.

Herb Fox announced that a move to new quarters had necessitated weeding his collection. He had brought some free discards with him. He had also brought some 19th century maps of American cities, foreign countries, purchased from the estate of an antique dealer at very fair prices. He said that we could buy them for what he had paid for them. Coffee breaks and early returns from lunch hours were much enlivened by this opportunity to acquire Mitchell maps, originals from atlases, of New Orleans or New York in 1850.



The meeting resumed at 1:30, after a break for lunch.

John Schroeder, Head, Cataloging Unit, Geography and Map Division, Library of Congress, began the first session of the two-day map cataloging workshop. He spoke of current developments in the field. These include automated name authority file on-line, component word searching, on-line access to LC's data base for those on OCLC. Beginning in 1981, coordinates will be put into LC cataloging records. John reported briefly on the recent AACR II meeting in Ottawa, "a landmark meeting", which included representatives from professional associations in Great Britain, Canada, and the United States. The task in hand was to support, interpret, expand the concept, of AACR II. This included support of corporate main entry. Differences in national policies became apparent. John then gave a short history of the development of map cataloging at the Library of Congress. Early efforts focussed on entry by area; names of cartographers were lost forever. LC today is committed to full cataloging for the map format. One problem is the necessity of compatibility with book catalogers and the need, at the same time, to maintain the uniqueness of the map format. LC is also faced with too few catalogers to deal with the flood of items to be cataloged.

After the coffee, John Schroeder moved on to the nitty-gritty of the catalog record in preparation for the morrow's map cataloging session. In a question and answer period, he strove mightily to make the ways of LC known to man. Members questioned specifics of call number construction particularly. John cited map cataloging manual interpretations. He emphasized putting like-things together, the necessity for consistency. The knotty problem of regions ("LC hates regions") and sub-areas within such clearly defined areas as counties (i.e., unincorporated suburbs) came in for much scrutiny. It was then after 5 p.m. We recessed, but the last word clearly had not been said.

The 10-map Cataloging Workshop convened at 9:00 a.m., Friday, October 26.

Our packets of sample maps covered a wide spectrum: maps with problem boundaries, star charts, facsimiles, maps produced by computer program, maps in series in which only one map had yet appeared, pictorial maps with futuristic shapes, microforms, prints produced from microforms ... typical of those demons haunting one's midnight hours after a day spent in seemingly fruitless efforts to impose order upon cataloging chaos. Morning and afternoon sessions, therefore, were devoted to, first, a painstaking analysis of one map - according to LC principles, using the manual, G schedule, AACR revised Chapter 6. Then followed discussions from the chair to floor and back again, of the problems inherent in the remaining sample maps and methods by which these could be resolved. Some philosophic differences with LC's rationales surfaced. John handled these with patience and the ability to accept the existence of differing viewpoints. Again, consistency was emphasized. It seemed to many of us that some breath-of-air was entering a stuffy room.

The remainder of the afternoon session was taken up by discussions of two on-line map cataloging data bases. First, Carolyn Kacena, Head, Cataloging Department, University Library, University of Arizona, spoke about OCLC, its current status, future development, and map applications. She illustrated responses to search strategies for some of the sample maps.

Next, Lynn McRae and Jamie Levine of RLG/RLIN (formerly BALLOTS) discussed records stored in that data base. They also illustrated methods used to retrieve information. McRae, builder of the system for the map data base of RLG/RLIN, told about the many indexes (personal name, title, corporate name, subject, LC card number, Map Classification Code, etc.) for the data base which enable the searcher to locate information quickly without having to call forth each record individually, including component word searching.

The meeting adjourned at 5:15 p.m. Larry Cruse spoke for all workshop participants when he extended thanks to the speakers, but especially to John Schroeder for conducting an exciting and challenging workshop; and, to Linda Cottrell for all the hours of hard work she put into making complicated arrangements seem effortless.

Respectfully submitted,  
Marjorie R. Henry  
Secretary

ATTENDANCE AT THE MAP CATALOGING WORKSHOP & WAML FALL MEETING

October 25-27, 1979

Sherry L. Abrahams  
University of Alaska, Fairbanks

Lee Aggers  
National Cartographic Information  
Center-West, Menlo Park

Natalia Badan  
Centro de Investigacion Cientifica  
y de Educacion Superior de Ensenada,  
Ensenada, Baja California, Mexico

Nancy L. Blair  
U.S. Geological Survey Library,  
Menlo Park

Mary L. Blakeley  
University of Arizona, Tucson

Cynthia J. Brown  
University of California, Los Angeles

John Burlinson  
University of Texas Library, Austin

James A. Coombs  
University of Illinois, Urbana

Linda D. Cottrell  
University of Arizona, Tucson

Barbara Cox  
University of Utah, Salt Lake City

Larry Cruse  
University of California, San Diego

David Deckelbaum  
University of California, Los Angeles

Joan B. Dible  
Stanford University, Stanford

Myrna D. Fleming  
University of Southern California,  
Los Angeles

Mary E. Fortney  
Northwestern University, Evanston

Herbert S. Fox  
California State University, Fresno

Mary H. Galneder  
University of Wisconsin, Madison

John Gleeson  
University of Arizona, Tucson

Lori Halstrom  
Western Archeological Center Library,  
Tucson

Marjorie R. Henry  
Seattle Public Library, Seattle

Peter Ives  
University of New Mexico, Albuquerque

Abigail Killen  
Steward Observatory Library, University  
of Arizona, Tucson

Chisu Kim  
California Polytechnic State University  
San Luis Obispo

Jo R. Kimbro  
Texas A & M University, College Station

Donna Koepp  
Denver Public Library, Denver

Beatrice L. Lukens  
University of California, Berkeley

David A. Lundquist  
University of California, Davis

Margaret F. Maxwell  
University of Arizona, Tucson

Dorothy McGarry  
University of California, Los Angeles

Rosanna Miller  
Arizona State University, Tempe

Riley Moffat  
Brigham Young University, Provo

Elaine E. Moore  
University of Arizona, Tucson

Larry Nelson  
Mesa Public Library, Mesa

Stephen Newcomer  
University of Arizona, Tucson

Cindy Owens  
Arizona Historical Society, Tucson

Charles A. Seavey  
University of New Mexico, Albuquerque

Daniel T. Seldin  
Indiana University, Bloomington

Marsha L. Selmer  
University of Illinois, Chicago Circle

Alice L. Sharp  
Colorado State Museum, State Historical  
Society of Colorado, Denver

Paul Simonds  
Western Economic Research Co; Sherman  
Oaks

Peter L. Stark  
Central Washington University, Ellens-  
burg

Dale Steele  
Nevada State Library, Carson City

Stanley D. Stevens  
University of California, Santa Cruz

Paul W. Stout  
Ball State University, Muncie

Muriel Strickland  
San Diego State University, San Diego

Barbara B. Tillett  
Scripps Institution of Oceanography,  
La Jolla

Karyl Tonge  
Stanford University, Stanford

Mai Treude  
University of Minnesota, Minneapolis

Marie E. Verbout  
Tucson Unified School District, Tucson

Sylvia B. Warren  
University of California, San Diego

Ronald Whistance-Smith  
University of Alberta, Edmonton

ATTENDANCE AT THE WORKSHOP-FALL MEETING  
(continued from p.173)

Maureen F. Wilson  
University of British Columbia,  
Vancouver

Frances Woodward  
University of British Columbia,  
Vancouver

GUESTS

Carolyn Kacena (Speaker)  
University of Arizona, Tucson

Jaime Levine (Speaker)  
RLG/RLIN, Stanford

Lynn McRae (Speaker)  
RLG/RLIN, Stanford

Mary Dale Palsson (Welcome address)  
University of Arizona, Tucson

John R. Schroeder (Speaker)  
The Library of Congress, Washington

Christine Ziegler  
University of Arizona, Tucson

Registered but unable to attend:

Roy V. Boswell  
California State University, Fullerton

Stephany A. Eger  
Museum of New Mexico, Santa Fe

R. Philip Hoehn  
University of California, Berkeley

Nancy J. Pruett  
University of California, Los Angeles

David W. Schacht  
Oregon State University, Corvallis

Alex Wenner  
Northern Illinois University, DeKalb



MAP CATALOGING MANUAL ----- NOW AVAILABLE !!  
OFFERED FOR THE FIRST TIME ---- WILL NOT BE REPRINTED.  
ONLY 50 COPIES AVAILABLE \*

# FOR SALE !

## MAP CATALOGING WORKSHOP REFERENCE MATERIAL

Prepared for the WAML Fall Meeting  
October 25-26, 1979  
University Library  
University of Arizona  
Tucson, Arizona

1. Library of Congress, Geography & Map Division.  
Map Cataloging Manual [Cumulated to July 31, 1979] 168pp.
2. Library of Congress, Geography & Map Division.  
Interpretations of Revised Chapter 6 (Cumulated 7.31.79)  
12pp.
3. Library of Congress, Geography & Map Division.  
Proposed Rule Interpretations Chapter 11: Working Paper  
10pp.
4. Map Classification Code (052) 2pp.

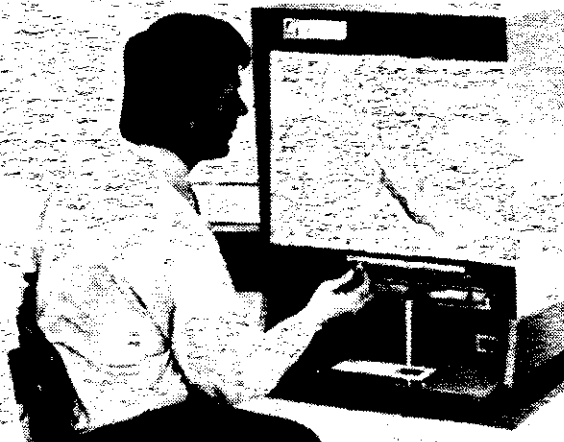
These four cataloging tools are brought together into a single booklet. They are essential to the proper understanding of Library of Congress practice. **\$7.50**

Available from: Western Association of Map Libraries  
c/o Stanley D. Stevens, Treasurer  
Purchase Orders University Library  
or Phone Orders University of California  
Accepted \* Santa Cruz, CA 95064 (408) 429-2364

**NOW**

## **NAUTICAL CHARTS & TOPOS ON MICROFICHE!!**

- **SAVE SPACE**
- **SPEED RETRIEVAL  
& REFILING**
- **REDUCE NEED FOR  
EXPENSIVE STORAGE  
EQUIPMENT**
- **MORE DURABLE  
THAN PAPER**
- **SAVE MONEY**



The microchart system features high quality silver microfilm. The image is excellent. Use with your existing readers (24x is recommended) or use one of our very unique lease/purchase plans to get a superb quality large screen reader at substantial savings.

The Microchart System allows you to offer your patrons much greater area coverage . . . inexpensively AND with virtually no increase in space requirements.

Write or call for more information and a sample microchart.

**MICROCHART SYSTEMS, INC.**  
819 A Street # 30  
San Rafael, California 94901  
(415) 459-0433